

Technical Information

TP50V17/2 D



AQUAFIX BELGIUM BVBA
Tel. 013 66 83 03, WWW.AQUAFIX.BE



AQUAFIX MILIEU B.V.
Tel. 0297 26 29 29, WWW.AQUAFIX.NL

Operating data	
Flow	0 m ³ /h
Head	0 m
Shaft power P2	
Pump efficiency	s %
Required pump NPSH	
Pumpe type	Single head pump
No. of pumps	1
Fluid	Water, clean

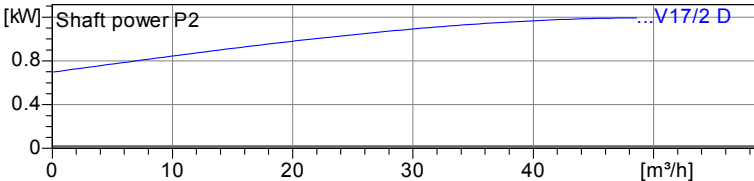
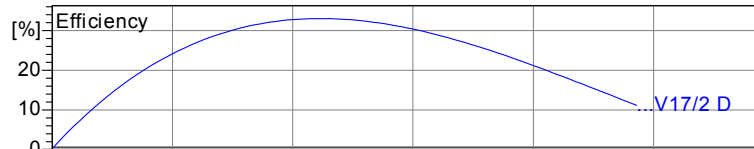
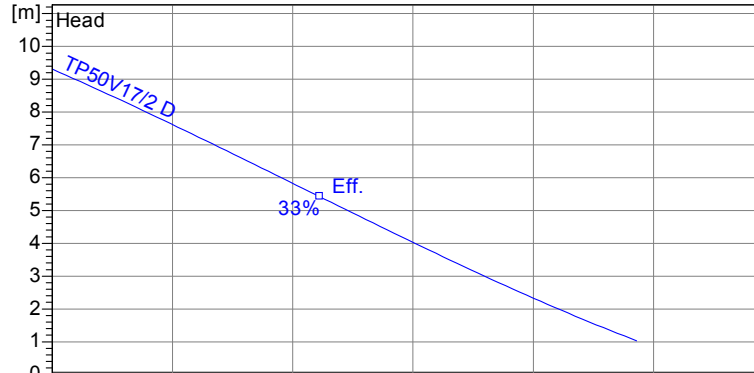
Pump	
Pump Code	TP50V17/2 D
Impeller	Vortex impeller
Impeller size	123 mm
Solid size	65 mm
Discharge port	R 2 1/2" AG
Suction port	s

Motor	
Rated voltage	400 V
Frequency	50 Hz
Rated power P2	1.2 kW
Rated speed	2900 rpm
Number of poles	2
Efficiency	75 %
Rated current	2.9 A
Degree of protection	IP 68

Materials	
Motor housing	Grey cast iron GG25
Impeller	Grey cast iron EN-GJL-250
Pump housing	Grey cast iron GG25
Motor shaft	Stainless steel 1.4104
Bolts	Stainless steel
O-Rings	Nitrile Rubber

Mechanical seal on medium side	SiC / SiC
Lip seal on motor side	Nitrile Rubber
Lower Bearing	Deep Groove Ball Bearing
Upper Bearing	Deep Groove Ball Bearing

Testnorm: ISO9906 Sect. 4.4.2



Wet well installation with coupling kit
Dimensions in mm,

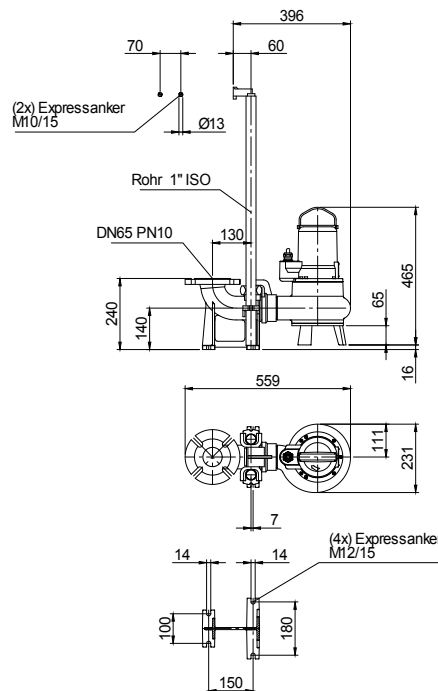


Table Dimensions (mm)

2.3.7 - 14/03/2012 (Build 345)

Project	Project no.:	Created by:	Page: 1
---------	--------------	-------------	------------

Performance Curve

TP50V17/2 D



AQUAFIX BELGIUM BVBA
Tel. 013 66 83 03, WWW.AQUAFIX.BE



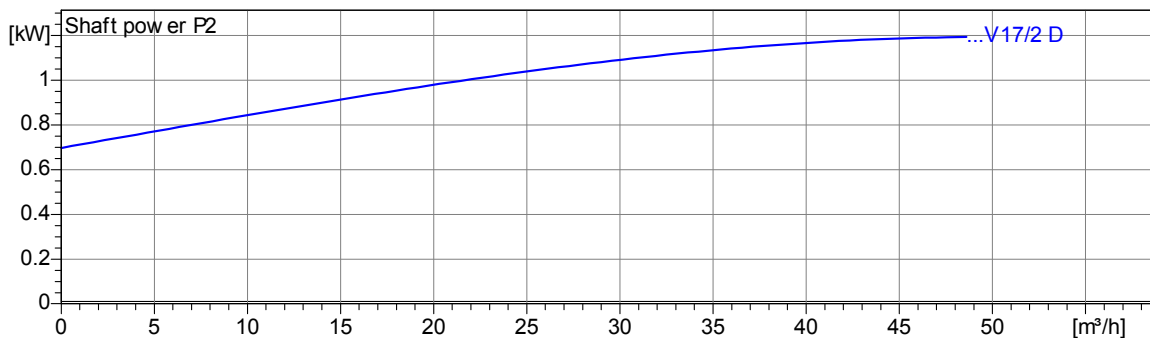
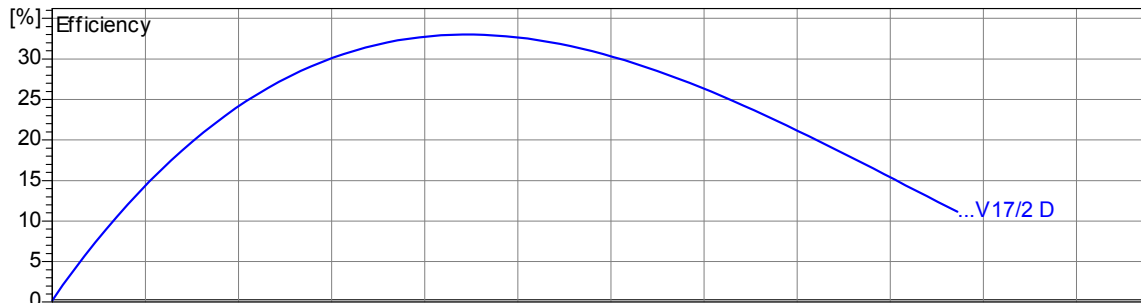
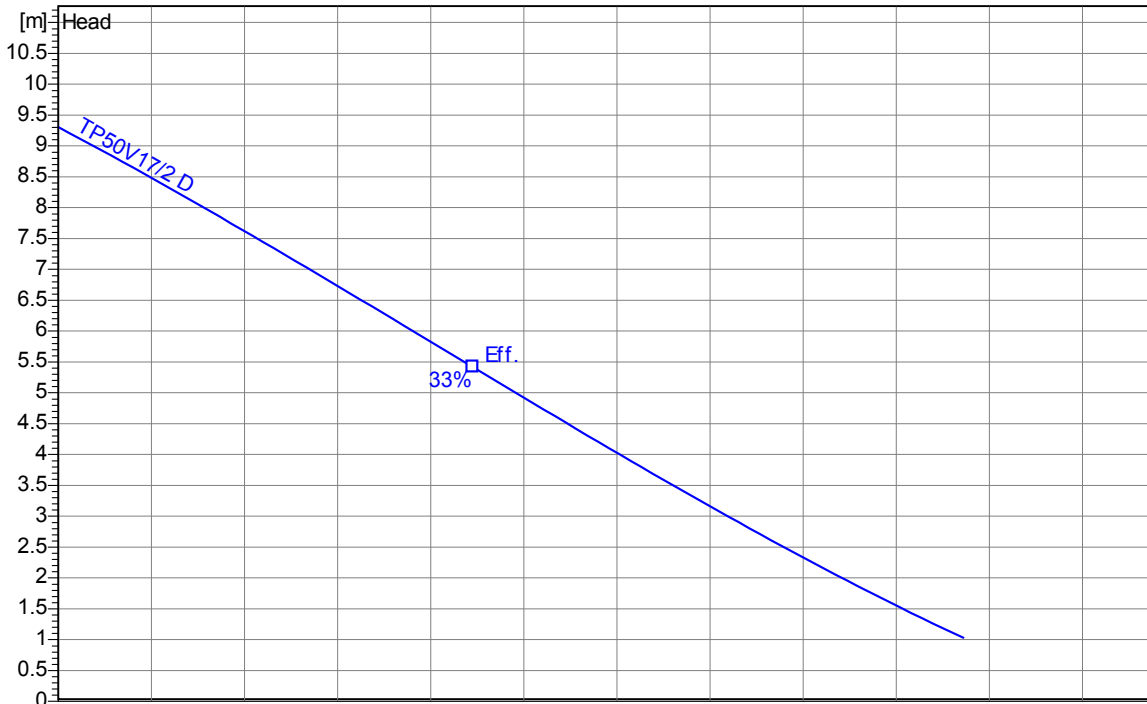
AQUAFIX MILIEU B.V.
Tel. 0297 26 29 29, WWW.AQUAFIX.NL

Impeller						
Impeller type: Vortex impeller	Solid size 65 mm	Ø:	Max. Ø: 123 mm	Min. Ø: 112 mm	Sel. Ø: 123 mm	

Operating data					
Speed: 2900 rpm	Frequency: 50 Hz	Duty point: Q = 0 m³/h	H = 0 m	Shaft power P2:	Discharge port: R 2 ½" AG

Power data referred to:
Water, clean [100%]; 20°C; 998.3kg/m³; 1.005mm²/s

Testnorm: ISO9906 Sect. 4.4.2



2.3.7 - 14/03/2012 (Build 345)

Project	Project no.:	Created by:	Page: 2
---------	--------------	-------------	------------

Dimensions

TP50V17/2 D



AQUAFIX BELGIUM BVBA
Tel. 013 66 83 03, WWW.AQUAFIX.BE



AQUAFIX MILIEU B.V.
Tel. 0297 26 29 29, WWW.AQUAFIX.NL

Wet well installation with coupling kit
Dimensions in mm, le

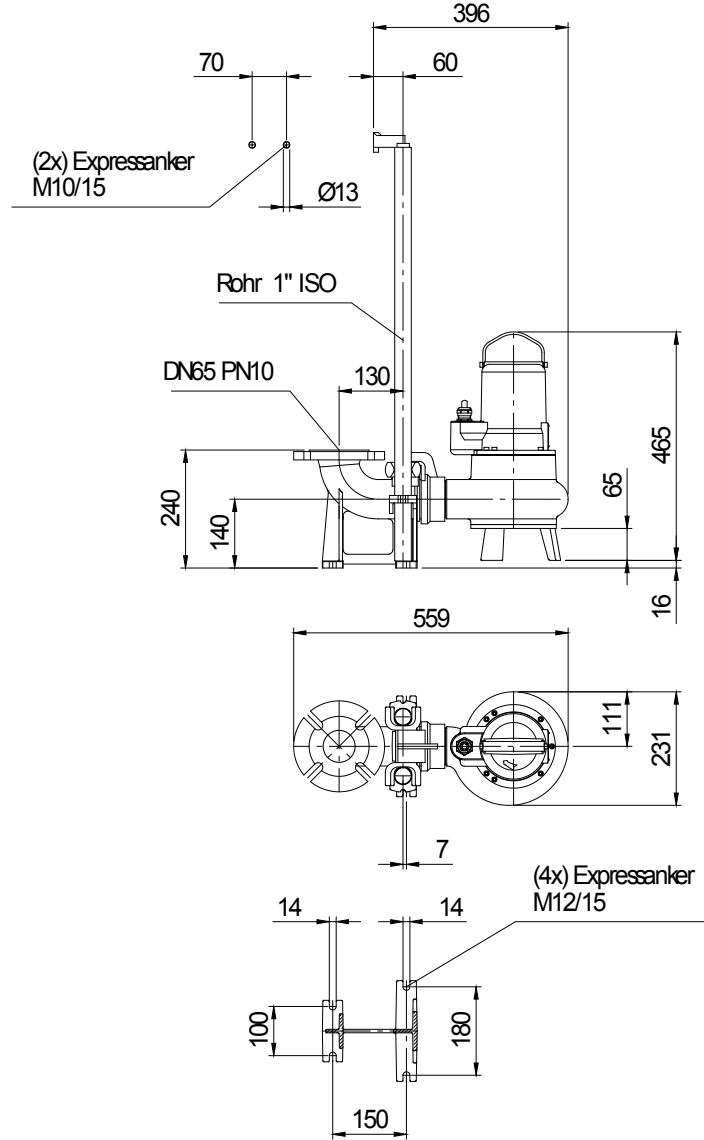


Table Dimensions (mm)

--	--	--	--	--	--	--	--

2.3.7 - 14/03/2012 (Build 345)

Project	Project no.:	Created by:	Page: 3
---------	--------------	-------------	------------

Technical Data

TP50V17/2 D



AQUAFIX BELGIUM BVBA
Tel. 013 66 83 03, WWW.AQUAFIX.BE



AQUAFIX MILIEU B.V.
Tel. 0297 26 29 29, WWW.AQUAFIX.NL

Operating data					
Flow	0 m ³ /h	m ³ /h	Head	0	m
Shaft power P2		kW	Geodetic head	0	m
Pump efficiency	s	%	Required pump NPSH		m
Pumpe type	Single head pump		No. of pumps	1	
Fluid	Water, clean		Temperature	20 °C	
Density	998.3	kg/m ³	Kin. viscosity	1.005	mm ² /s

Pump					
Pump Code	TP50V17/2 D		Speed	2900	rpm
Suction port			Head	Max.	9.3 m
Discharge port	R 2 1/2" AG			Min.	1.0 m
Impeller type	Vortex impeller		Flow	Max.	48.6 m ³ /h
Solid size	65	mm	Pump efficiency max.	33	%
Impeller Ø	123	mm	Required rated power max. P2	1.2	kW

Motor					
Motor version	Submersible motor		Insulation class	H	
Motor name	AM 120TM.1,7/2 D		Degree of protection	IP 68	
Frequency	50	Hz	Temperature class		
Rated power P1	1.6	kW			
Rated power P2	1.2	kW	Explosion protection		
Rated speed	2900	rpm	Efficiency	100%	75 %
Rated voltage	400	V 3~	at % rated power	75%	%
Rated current	2.9	A		50%	%
Starting current, direct starting	17.4	A	cos phi	100%	0.80
Starting current, star-delta	5.	A	at % rated power	75%	
Starting mode	Directly			50%	
Power cable	4G1,5		Control cable		
Type of power cable	H07RN-F		Type of control cable		
Cable length	10 m		Service factor	1.15	
Shaft seal	Mechanical seal on medium side		SiC / SiC		
	Lip seal on motor side		Nitrile Rubber		
Bearing	Lower Bearing		Deep Groove Ball Bearing		
	Upper Bearing		Deep Groove Ball Bearing		
Remarks	s				

Materials / Weight			
Motor housing	Grey cast iron GG25	O-Rings	Nitrile Rubber
Pump housing	Grey cast iron GG25		
Impeller	Grey cast iron EN-GJL-250		
Motor shaft	Stainless steel 1.4104		
Bolts	Stainless steel		
Weight aggregat	27 kg		

Project	Project no.:	Created by:	Page: 4
---------	--------------	-------------	------------

2.3.7 - 14/03/2012 (Build 345)