

Technical Information

TP70M31/4 D



AQUAFIX BELGIUM BVBA
Tel. 013 66 83 03, WWW.AQUAFIX.BE



AQUAFIX MILIEU B.V.
Tel. 0297 26 29 29, WWW.AQUAFIX.NL

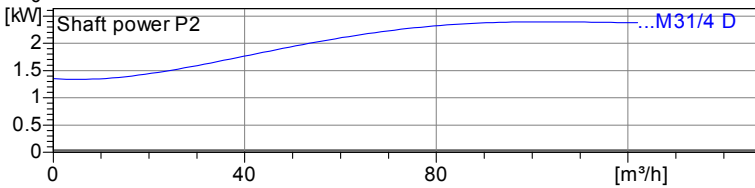
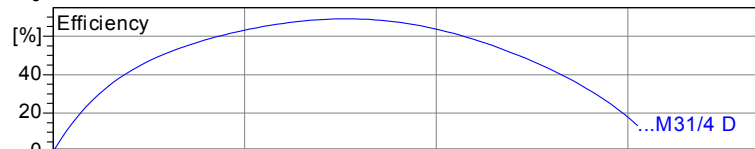
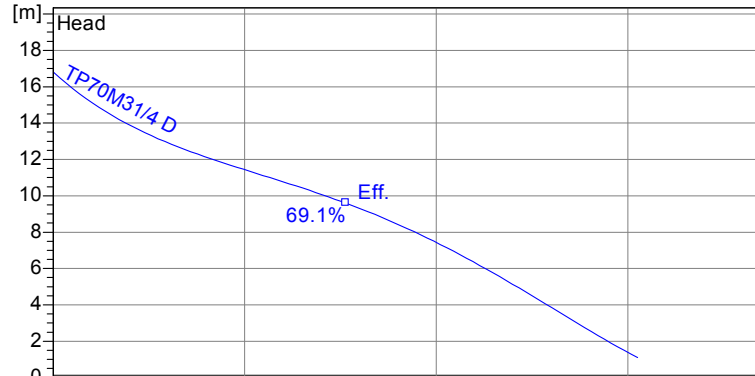
Operating data	
Flow	0 m ³ /h
Head	0 m
Shaft power P2	
Pump efficiency	s %
Required pump NPSH	
Pumpe type	Single head pump
No. of pumps	1
Fluid	Water, clean

Pump	
Pump Code	TP70M31/4 D
Impeller	Single vane impeller
Impeller size	218 mm
Solid size	70 mm
Discharge port	DN80
Suction port	s

Motor	
Rated voltage	400 V
Frequency	50 Hz
Rated power P2	2.4 kW
Rated speed	1450 rpm
Number of poles	4
Efficiency	79 %
Rated current	6.3 A
Degree of protection	IP 68

Materials	
Motor housing	Grey cast iron GG25
Impeller	Grey cast iron EN-GJL-250
Pump housing	Grey cast iron GG25
Wear ring	Bronze
Motor shaft	Stainless steel 1.4104
Bolts	Stainless steel
O-Rings	Nitrile Rubber
Mechanical seal on medium side	SiC / SiC
Mechanical seal on motor side	SiC / SiC
Lower Bearing	Double row angular ball bearing
Upper Bearing	Deep Groove Ball Bearing

Testnorm: ISO9906 Sect. 4.4.2



Wet well installation with coupling kit (M26...31)
Dimensions in mm,

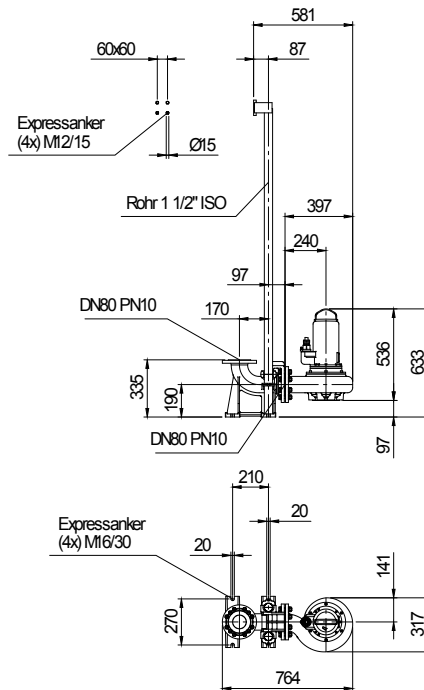


Table Dimensions (mm)

Project	Project no.:	Created by:	Page: 1
---------	--------------	-------------	------------

Performance Curve

TP70M31/4 D



AQUAFIX BELGIUM BVBA
Tel. 013 66 83 03, WWW.AQUAFIX.BE



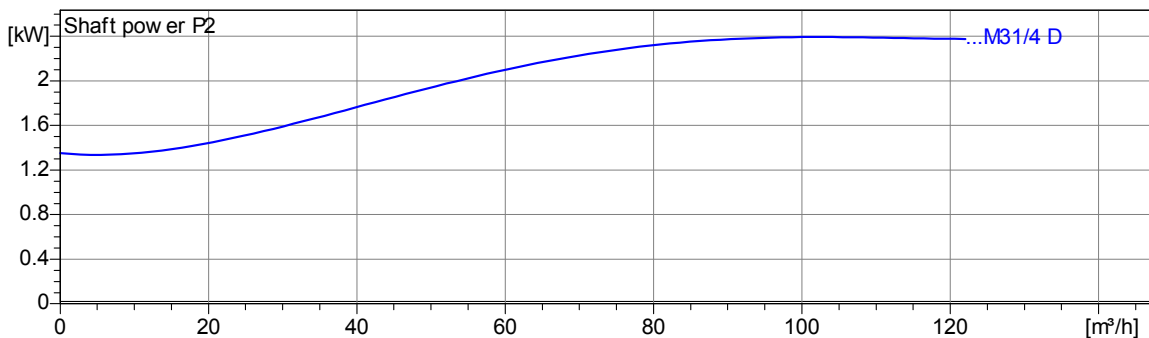
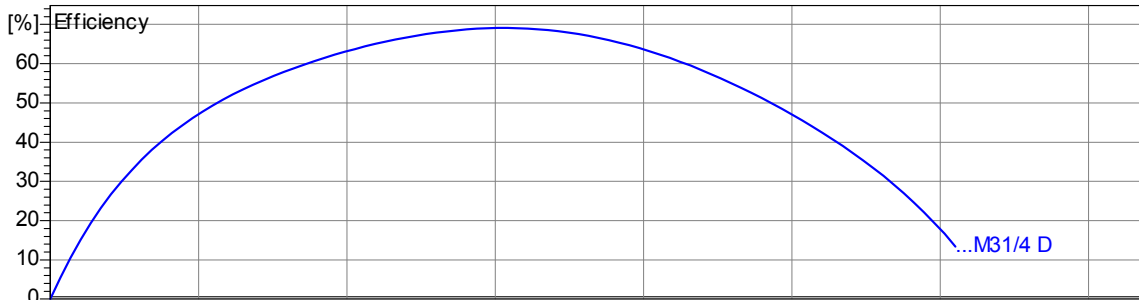
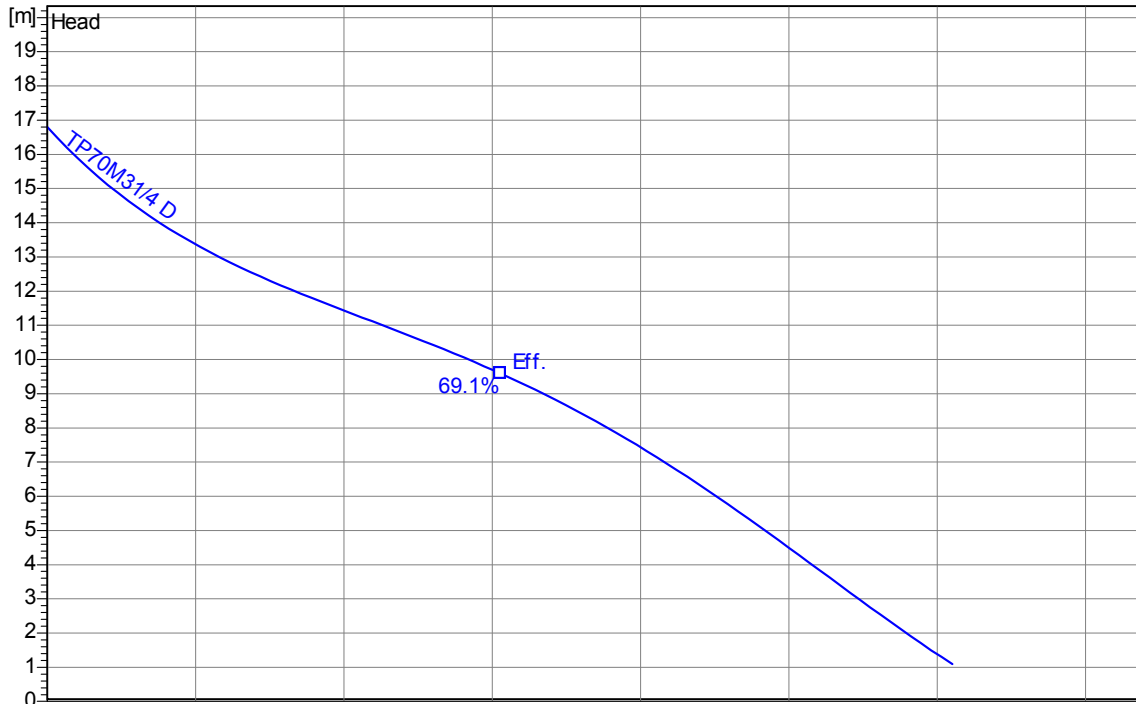
AQUAFIX MILIEU B.V.
Tel. 0297 26 29 29, WWW.AQUAFIX.NL

Impeller						
Impeller type: Single vane impeller	Solid size 70 mm	Ø:	Max. Ø: 218 mm	Min. Ø: 196 mm	Sel. Ø: 218 mm	

Operating data					
Speed: 1450 rpm	Frequency: 50 Hz	Duty point: Q = 0 m³/h	H = 0 m	Shaft power P2:	Discharge port: DN80

Power data referred to:
Water, clean [100%]; 20°C; 998.3kg/m³; 1.005mm²/s

Testnorm: ISO9906 Sect. 4.4.2



2.3.7 - 14/03/2012 (Build 345)

Project	Project no.:	Created by:	Page: 2
---------	--------------	-------------	------------

Dimensions

TP70M31/4 D



AQUAFIX BELGIUM BVBA
Tel. 013 66 83 03, WWW.AQUAFIX.BE



AQUAFIX MILIEU B.V.
Tel. 0297 26 29 29, WWW.AQUAFIX.NL

Wet well installation with coupling kit (M26...31)
Dimensions in mm, le

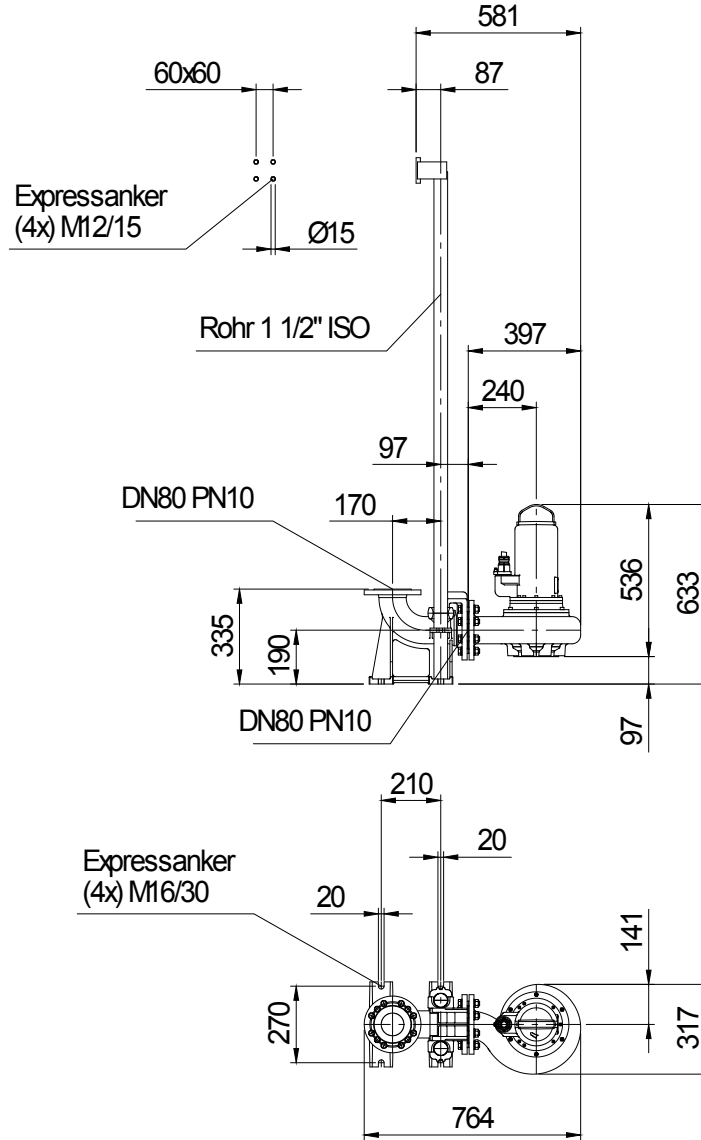


Table Dimensions (mm)

--	--	--

2.3.7 - 14/03/2012 (Build 345)

Project	Project no.:	Created by:	Page: 3
---------	--------------	-------------	------------

Technical Data

TP70M31/4 D



AQUAFIX BELGIUM BVBA
Tel. 013 66 83 03, WWW.AQUAFIX.BE



AQUAFIX MILIEU B.V.
Tel. 0297 26 29 29, WWW.AQUAFIX.NL

Flow	0 m³/h	m³/h	Head	0	m
Shaft power P2		kW	Geodetic head	0	m
Pump efficiency	s	%	Required pump NPSH		m
Pumpe type	Single head pump		No. of pumps	1	
Fluid	Water, clean		Temperature	20 °C	
Density	998.3	kg/m³	Kin. viscosity	1.005	mm²/s

Pump Code	TP70M31/4 D	Speed	1450	rpm
Suction port		Head	Max.	16.8 m
Discharge port	DN80		Min.	1.1 m
Impeller type	Single vane impeller	Flow	Max.	122.0 m³/h
Solid size	70	mm	Pump efficiency max.	69.1 %
Impeller Ø	218	mm	Required rated power max. P2	2.4 kW

Motor				
Motor version	Submersible motor		Insulation class	H
Motor name	AM 136.3,4/4 D		Degree of protection	IP 68
Frequency	50	Hz	Temperature class	
Rated power P1	3.0	kW		
Rated power P2	2.4	kW	Explosion protection	
Rated speed	1450	rpm	Efficiency	100% 79 %
Rated voltage	400	V 3~	at % rated power	75% %
Rated current	6.3	A		50% %
Starting current, direct starting	23.4	A		100% 0.80
Starting current, star-delta	7.	A	cos phi	75%
Starting mode	Directly		at % rated power	50%
Power cable	7G1,5		Control cable	
Type of power cable	H07RN-F		Type of control cable	
Cable length	10 m		Service factor	1.15
Shaft seal	Mechanical seal on medium side		SiC / SiC	
	Mechanical seal on motor side		SiC / SiC	
Bearing	Lower Bearing		Double row angular ball bearing	
	Upper Bearing		Deep Groove Ball Bearing	
Remarks	s			

/ Weight			
Motor housing	Grey cast iron GG25	Bolts	Stainless steel
Pump housing	Grey cast iron GG25	O-Rings	Nitrile Rubber
Impeller	Grey cast iron EN-GJL-250		
Wear ring	Bronze		
Motor shaft	Stainless steel 1.4104		
Weight aggregat	66 kg		

Project	Project no.:	Created by:	Page: 4
---------	--------------	-------------	------------

2.3.7 - 14/03/2012 (Build 345)