

Technical Information

C239 WE2



AQUAFIX BELGIUM BVBA
Tel. 013 66 83 03, WWW.AQUAFIX.BE



AQUAFIX MILIEU B.V.
Tel. 0297 26 29 29, WWW.AQUAFIX.NL

<p>Operating data</p> <p>Flow 0 m³/h Head 0 m Shaft power P2 Pump efficiency s % Required pump NPSH Pompe type Single head pump No. of pumps 1 Fluid Water, clean</p>	<p>Testnorm: ISO9906 Sect. 4.4.2</p>
<p>Pump</p> <p>Pump Code C239 WE2 Impeller Multi vane impeller Impeller size 98 mm Solid size 10 mm Discharge port G 1 ¼ IG Suction port s</p>	
<p>Motor</p> <p>Rated voltage 230 V Frequency 50 Hz Hz Rated power P2 0.28 kW Rated speed 2900 rpm Number of poles 2 Efficiency 60 % % Rated current 2.1 A Degree of protection IP 68</p>	
<p>Materials</p> <p>Suction strainer Wear resistant synthetic material Motor housing Stainless steel Impeller Glass-fibre, reinforced synthetic Motor casing Wear resistant synthetic material Motor shaft Stainless steel Bolts Stainless steel</p> <p>Elastomeres Nitrile Rubber</p> <p>Lip seals Nitrile Rubber</p> <p>Lower Bearing Deep Groove Ball Bearing Upper Bearing Deep Groove Ball Bearing</p>	

2.3.7 - 14/03/2012 (Build 345)

Project	Project no.:	Created by:	Page: 1
---------	--------------	-------------	------------

Performance Curve

C239 WE2



AQUAFIX BELGIUM BVBA
Tel. 013 66 83 03, WWW.AQUAFIX.BE



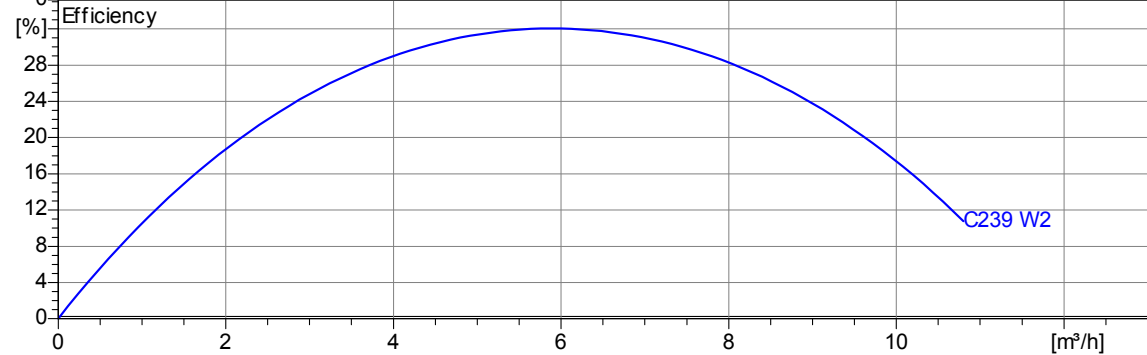
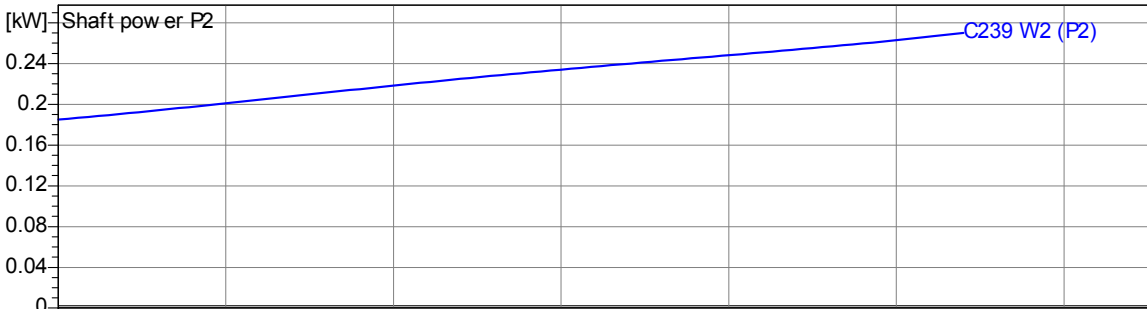
AQUAFIX MILIEU B.V.
Tel. 0297 26 29 29, WWW.AQUAFIX.NL

Impeller						
Impeller type: Multi vane impeller	Solid size 10 mm	Ø:	Max. Ø: 98 mm	Min. Ø: 98 mm	Sel. Ø: 98 mm	

Operating data					
Speed: 2900 rpm	Frequency: 50 Hz	Duty point: Q = 0 m³/h	H = 0 m	Shaft power P2:	Discharge port: G 1 ¼ IG

Power data referred to:
Water, clean [100%]; 20°C; 998.3kg/m³; 1.005mm²/s

Testnorm: ISO9906 Sect. 4.4.2



2.3.7 - 14/03/2012 (Build 345)

Project	Project no.:	Created by:	Page: 2
---------	--------------	-------------	------------

Dimensions

C239 WE2

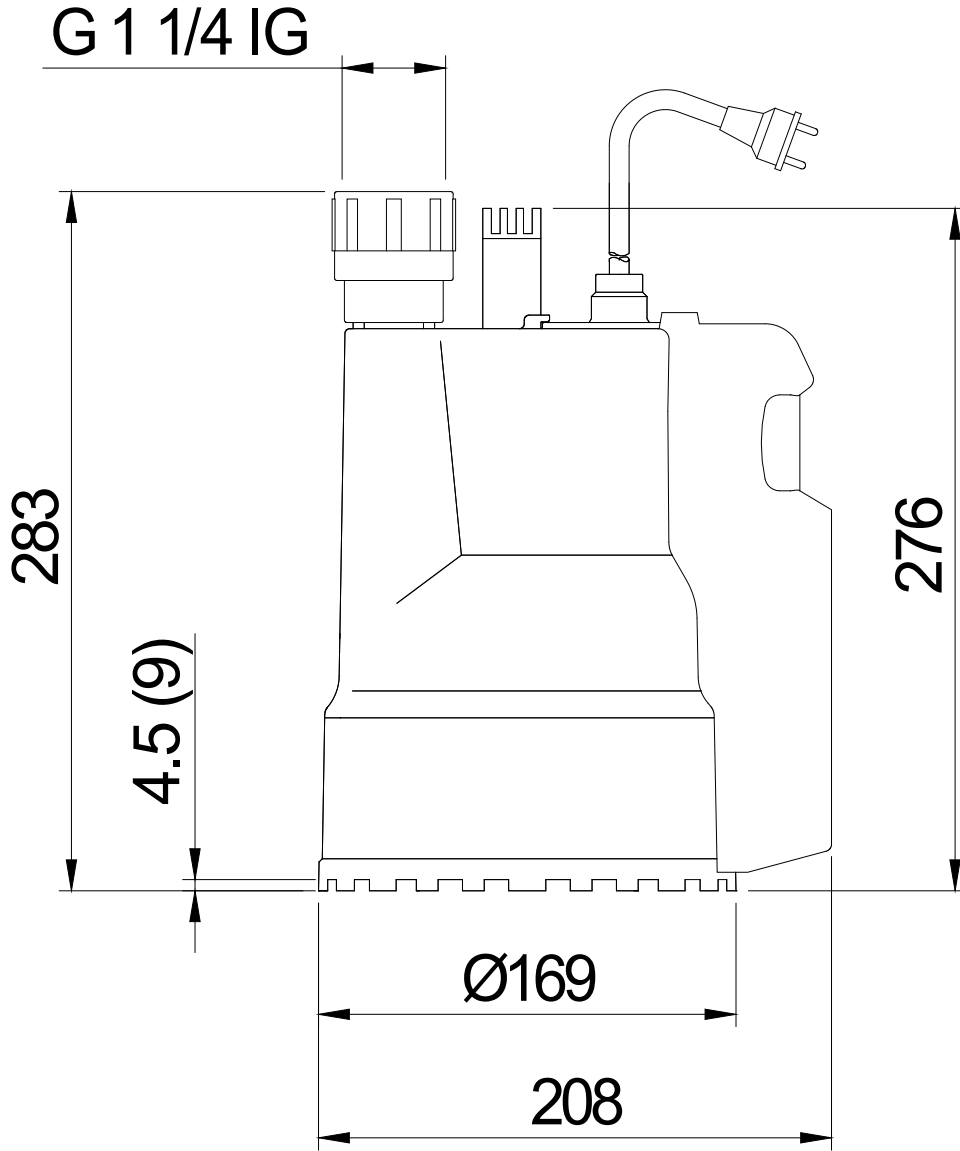


AQUAFIX BELGIUM BVBA
Tel. 013 66 83 03, WWW.AQUAFIX.BE



AQUAFIX MILIEU B.V.
Tel. 0297 26 29 29, WWW.AQUAFIX.NL

Wet well installation
Dimensions in mm



2.3.7 - 14/03/2012 (Build 345)

Project	Project no.:	Created by:	Page: 3
---------	--------------	-------------	------------

Technical Data

C239 WE2



AQUAFIX BELGIUM BVBA
Tel. 013 66 83 03, WWW.AQUAFIX.BE



AQUAFIX MILIEU B.V.
Tel. 0297 26 29 29, WWW.AQUAFIX.NL

Operating data					
Flow	0 m ³ /h	m ³ /h	Head	0	m
Shaft power P2		kW	Geodetic head	0	m
Pump efficiency	s	%	Required pump NPSH		m
Pumpe type	Single head pump		No. of pumps	1	
Fluid	Water, clean		Temperature	20 °C	
Density	998.3	kg/m ³	Kin. viscosity	1.005	mm ² /s

Pump					
Pump Code	C239 WE2		Speed	2900	rpm
Suction port			Head	Max.	8.0 m
Discharge port	G 1 ¼ IG			Min.	1.0 m
Impeller type	Multi vane impeller		Flow	Max.	10.8 m ³ /h
Solid size	10	mm	Pump efficiency max.	32 %	
Impeller Ø	98	mm	Required rated power max. P2	0.3 kW	

Motor					
Motor version	Submersible motor		Insulation class	F	
Motor name	AM 0,47/2 W		Degree of protection	IP 68	
Frequency	50	Hz	Temperature class		
Rated power P1	0.47	kW			
Rated power P2	0.28	kW	Explosion protection		
Rated speed	2900	rpm	Efficiency at % rated power	100%	60 %
Rated voltage	230	V 1~		75%	
Rated current	2.1	A		50%	
Starting current, direct starting	12.6	A	cos phi at % rated power	100%	0.99
Starting current, star-delta	4.	A		75%	
Starting mode	Directly			50%	
Power cable	3G0,75		Control cable		
Type of power cable	H05RN-F		Type of control cable		
Cable length	10 m		Service factor	1.15	
Shaft seal	Lip seals		Nitrile Rubber		
Bearing	Lower Bearing		Deep Groove Ball Bearing		
	Upper Bearing		Deep Groove Ball Bearing		
Remarks	s				

Materials / Weight			
Suction strainer	Wear resistant synthetic mat	Bolts	Stainless steel
Impeller	Glass-fibre, reinforced synth	Elastomeres	Nitrile Rubber
Motor housing	Stainless steel		
Motor casing	Wear resistant synthetic mat		
Motor shaft	Stainless steel		
Weight aggregat	4.6 kg		

Project	Project no.:	Created by:	Page: 4
---------	--------------	-------------	------------