

# Technical Information

GRP76 D



AQUAFIX BELGIUM BVBA  
Tel. 013 66 83 03, WWW.AQUAFIX.BE



AQUAFIX MILIEU B.V.  
Tel. 0297 26 29 29, WWW.AQUAFIX.NL

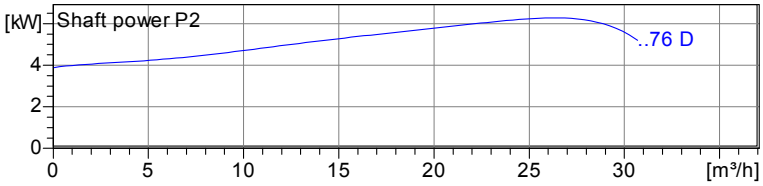
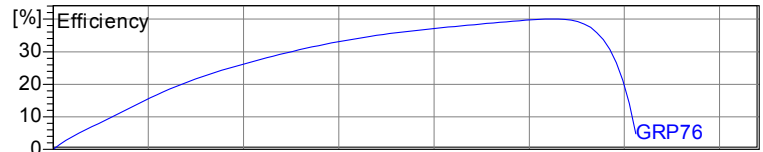
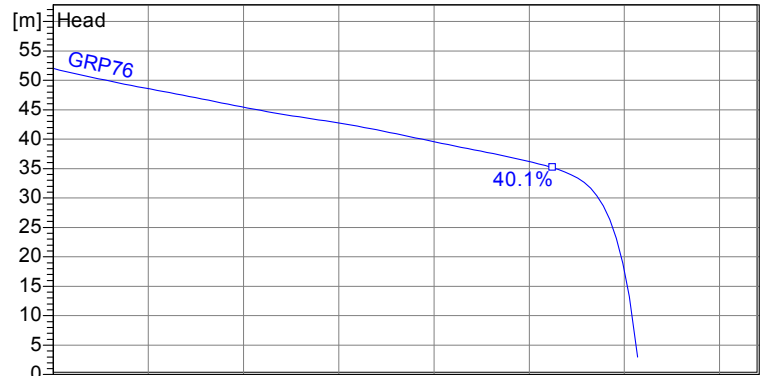
<b>Operating data</b>	
Flow	0 m <sup>3</sup> /h
Head	0 m
Shaft power P2	
Pump efficiency	s %
Required pump NPSH	
Pumpe type	Single head pump
No. of pumps	1
Fluid	Water, clean

<b>Pump</b>	
Pump Code	GRP76 D
Impeller	Vane impeller with cutter sys.
Impeller size	198 mm
Solid size	s
Discharge port	DN50
Suction port	s

<b>Motor</b>	
Rated voltage	400 V
Frequency	50 Hz
Rated power P2	6.4 kW
Rated speed	2900 rpm
Number of poles	2
Efficiency	85 %
Rated current	13 A
Degree of protection	IP 68

<b>Materials</b>	
Motor housing	Grey cast iron EN-GJL-250
Impeller	Grey cast iron EN-GJL-250
Pump housing	Grey cast iron EN-GJL-250
Cutting system	Stainless steel 1.4122
Motor shaft	Stainless steel 1.4104
Bolts	Stainless steel
<b>Elastomeres</b>	
	Nitrile Rubber
Mechanical seal on motor side	SiC / SiC
Mechanical seal on medium side	SiC / SiC
Lower Bearing	Double row angular ball bearing
Upper Bearing	Deep Groove Ball Bearing

Testnorm: ISO9906 Sect. 4.4.2



Wet well installation with coupling kit  
Dimensions in mm,

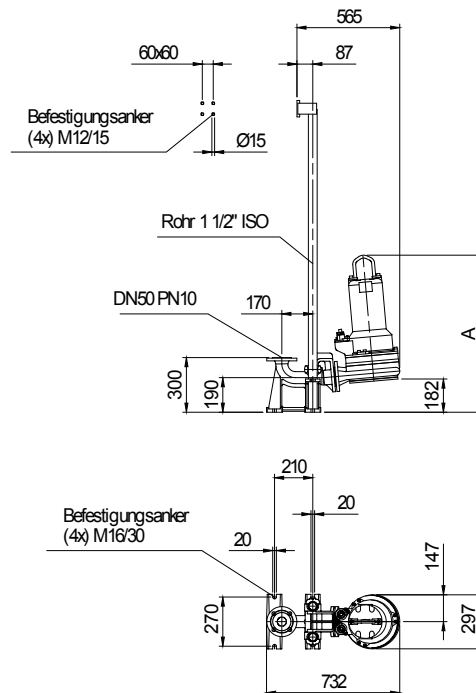


Table Dimensions (mm)

A 790

2.3.7 - 14/03/2012 (Build 345)

Project	Project no.:	Created by:	Page: 1
---------	--------------	-------------	------------

# Performance Curve

GRP76 D



AQUAFIX BELGIUM BVBA  
Tel. 013 66 83 03, WWW.AQUAFIX.BE



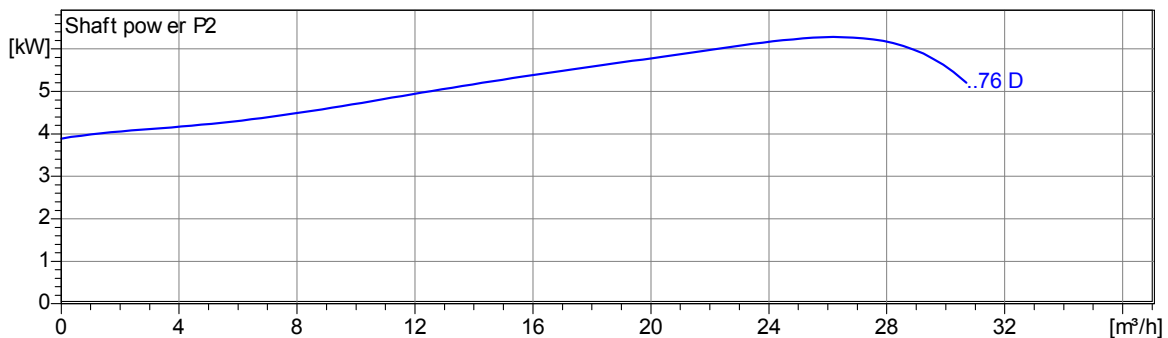
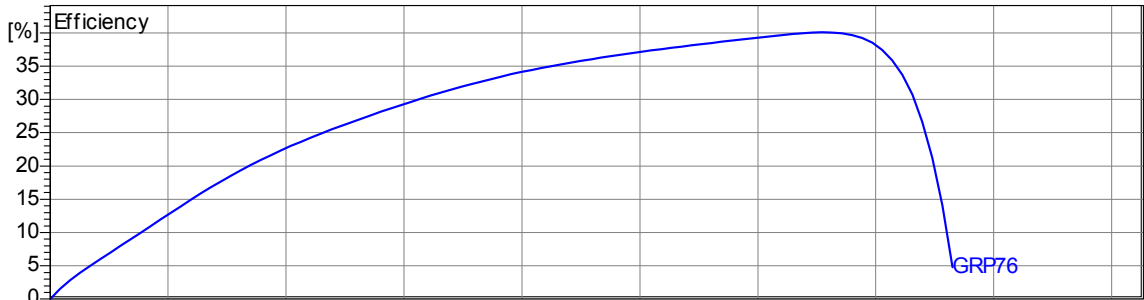
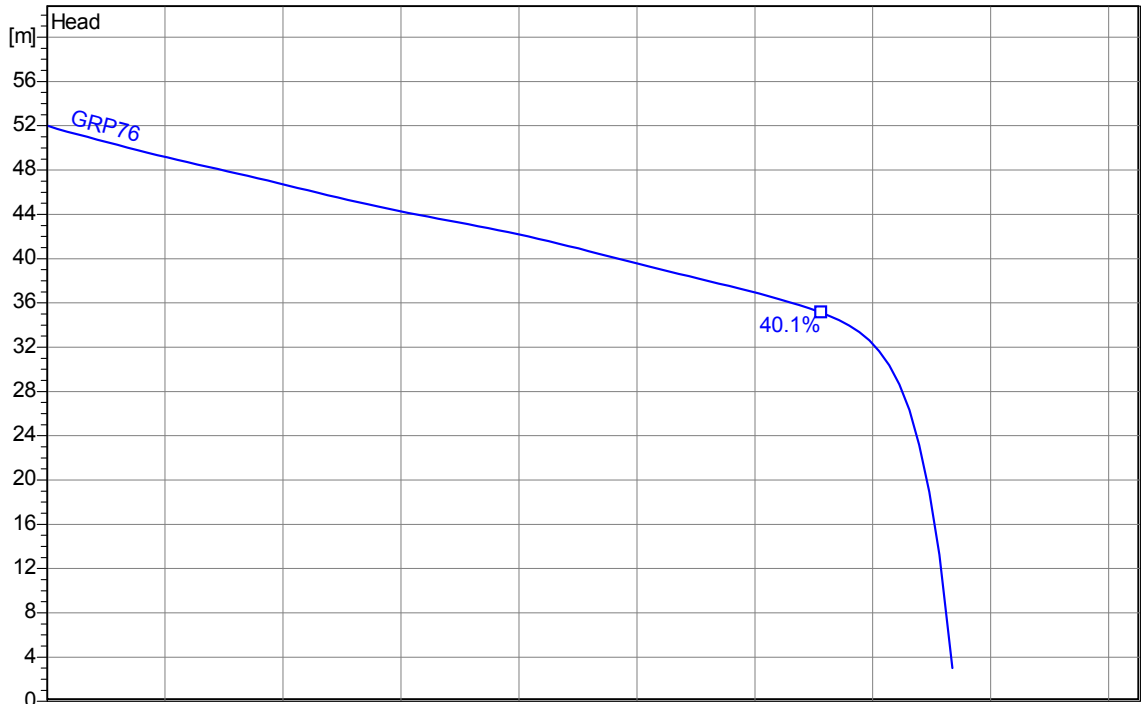
AQUAFIX MILIEU B.V.  
Tel. 0297 26 29 29, WWW.AQUAFIX.NL

Impeller						
Impeller type: Vane impeller with cutter sys.	Solid size	Ø:	Max. Ø: 219 mm	Min. Ø: 178 mm	Sel. Ø: 198 mm	

Operating data					
Speed: <b>2900 rpm</b>	Frequency: <b>50 Hz</b>	Duty point: <b>Q = 0 m³/h</b>	<b>H = 0 m</b>	Shaft power P2:	Discharge port: <b>DN50</b>

Power data referred to:  
Water, clean [100%]; 20°C; 998.3kg/m³; 1.005mm²/s

Testnorm: ISO9906 Sect. 4.4.2



2.3.7 - 14/03/2012 (Build 345)

Project	Project no.:	Created by:	Page: 2
---------	--------------	-------------	------------

# Dimensions

GRP76 D

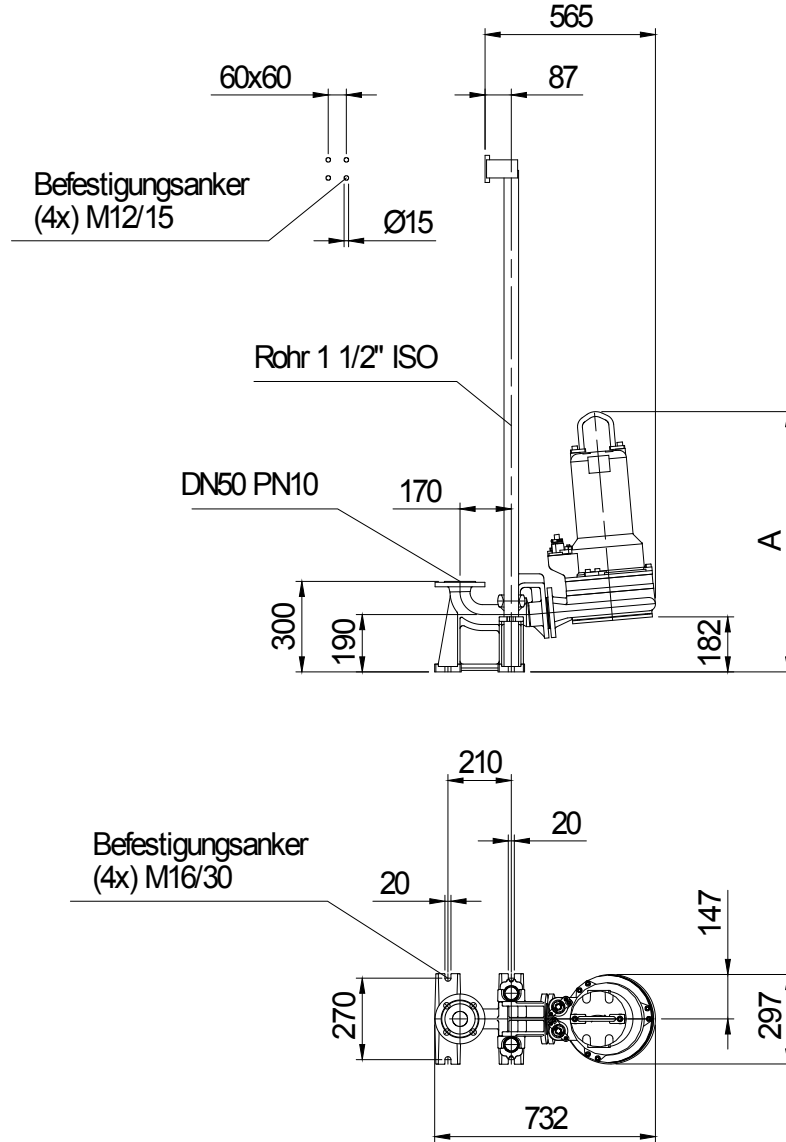


AQUAFIX BELGIUM BVBA  
Tel. 013 66 83 03, WWW.AQUAFIX.BE



AQUAFIX MILIEU B.V.  
Tel. 0297 26 29 29, WWW.AQUAFIX.NL

Wet well installation with coupling kit  
Dimensions in mm, le



## Table Dimensions

( mm )

A	790
---	-----

# Technical Data

GRP76 D



AQUAFIX BELGIUM BVBA  
Tel. 013 66 83 03, WWW.AQUAFIX.BE



AQUAFIX MILIEU B.V.  
Tel. 0297 26 29 29, WWW.AQUAFIX.NL

Operating data					
Flow	0 m <sup>3</sup> /h	m <sup>3</sup> /h	Head	0	m
Shaft power P2		kW	Geodetic head	0	m
Pump efficiency	s	%	Required pump NPSH		m
Pumpe type	Single head pump		No. of pumps	1	
Fluid	Water, clean		Temperature	20 °C	
Density	998.3	kg/m <sup>3</sup>	Kin. viscosity	1.005	mm <sup>2</sup> /s

Pump					
Pump Code	GRP76 D		Speed	2900	rpm
Suction port			Head	Max.	52.0 m
Discharge port	DN50			Min.	3.0 m
Impeller type	Vane impeller with cutter s		Flow	Max.	30.7 m <sup>3</sup> /h
Solid size		mm	Pump efficiency max.	40.1 %	
Impeller Ø	198	mm	Required rated power max. P2	5.2	kW

Motor					
Motor version	Submersible motor		Insulation class	H	
Motor name	AM 173.7,5/2 T		Degree of protection	IP 68	
Frequency	50	Hz	Temperature class	T4	
Rated power P1	7.5	kW			
Rated power P2	6.4	kW	Explosion protection		
Rated speed	2900	rpm	Efficiency at % rated power	100%	85 %
Rated voltage	400	V 3~		75%	85 %
Rated current	13.0	A		50%	84 %
Starting current, direct starting	68.9	A		100%	0.88
Starting current, star-delta	23.0	A	cos phi at % rated power	75%	0,81
Starting mode	Star-delta			50%	0,79
Power cable	7G1.5		Control cable	5G1.5	
Type of power cable	H07RN-F		Type of control cable	H07RN-F	
Cable length	10 m		Service factor	1.15	
Shaft seal	Mechanical seal on motor side		SiC / SiC		
	Mechanical seal on medium side		SiC / SiC		
Bearing	Lower Bearing		Double row angular ball bearing		
	Upper Bearing		Deep Groove Ball Bearing		
Remarks	s				

Materials / Weight			
Motor housing	Grey cast iron EN-GJL-250	Bolts	Stainless steel
Pump housing	Grey cast iron EN-GJL-250	Elastomeres	Nitrile Rubber
Impeller	Grey cast iron EN-GJL-250		
Cutting system	Stainless steel 1.4122		
Motor shaft	Stainless steel 1.4104		
Weight aggregat	104 kg		

Project	Project no.:	Created by:	Page: 4
---------	--------------	-------------	------------