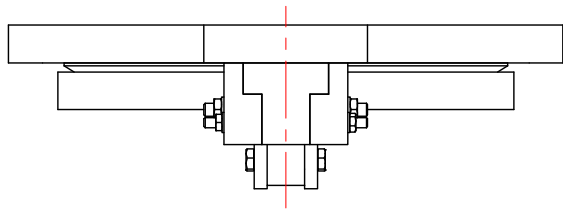
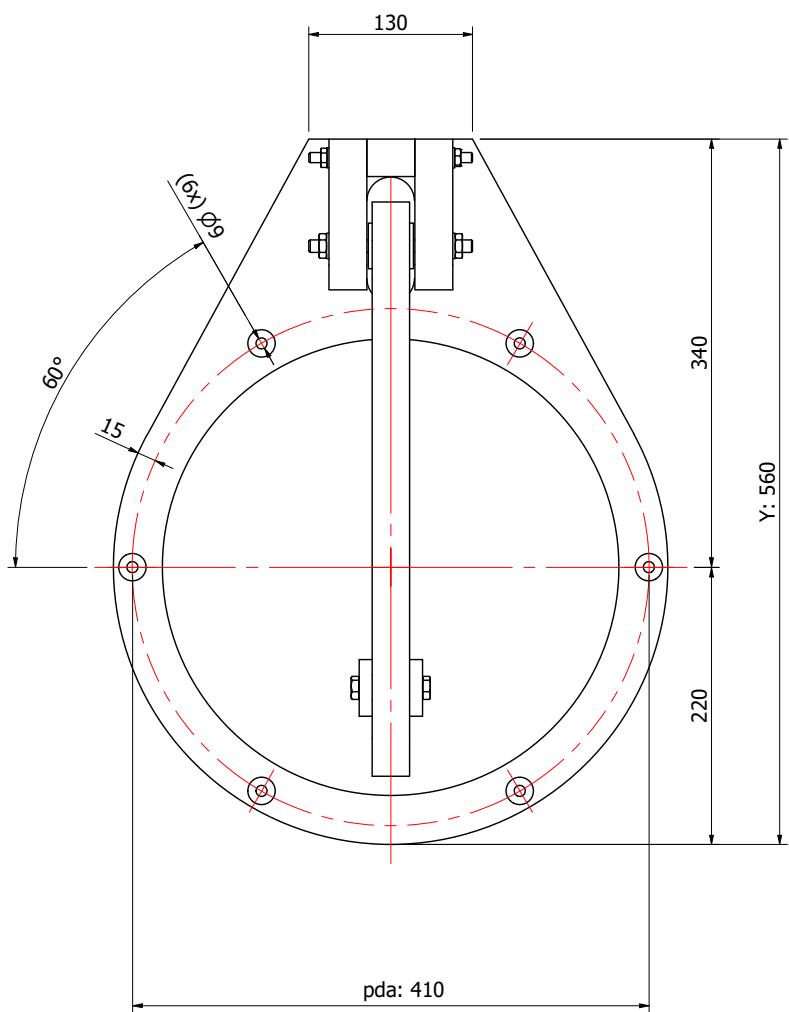


# ATK-G Ø300

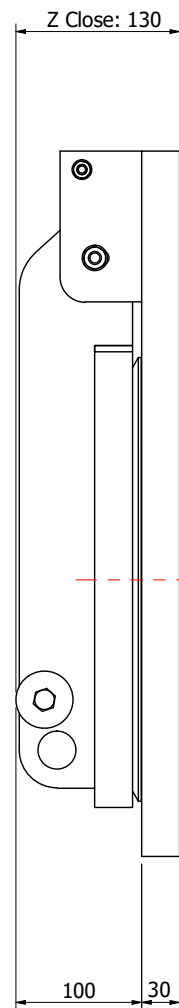
Top view  
Close



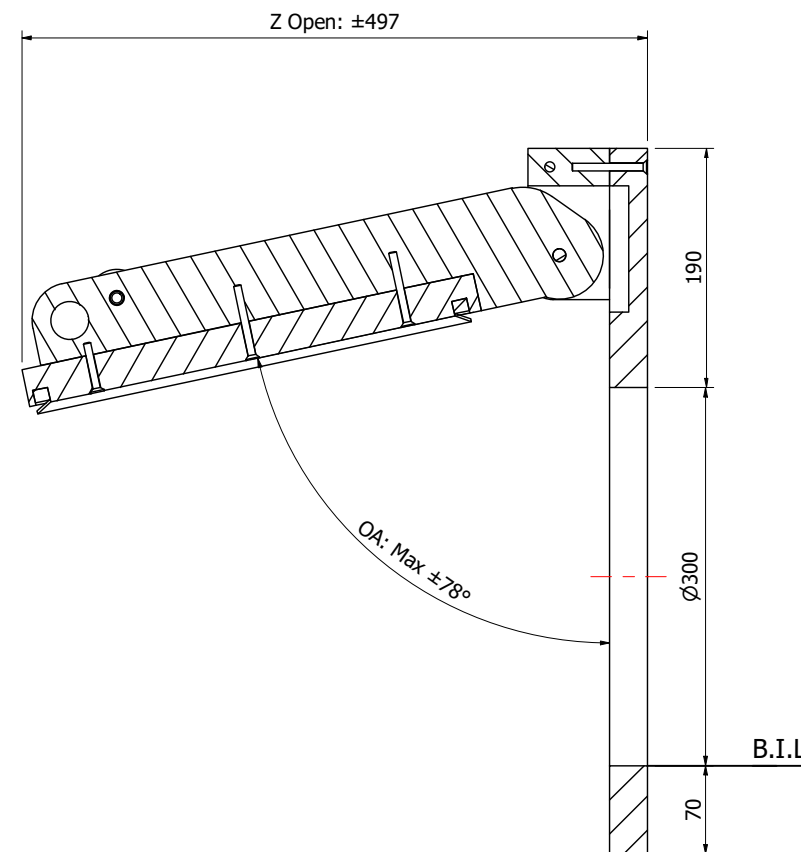
Front view  
Close



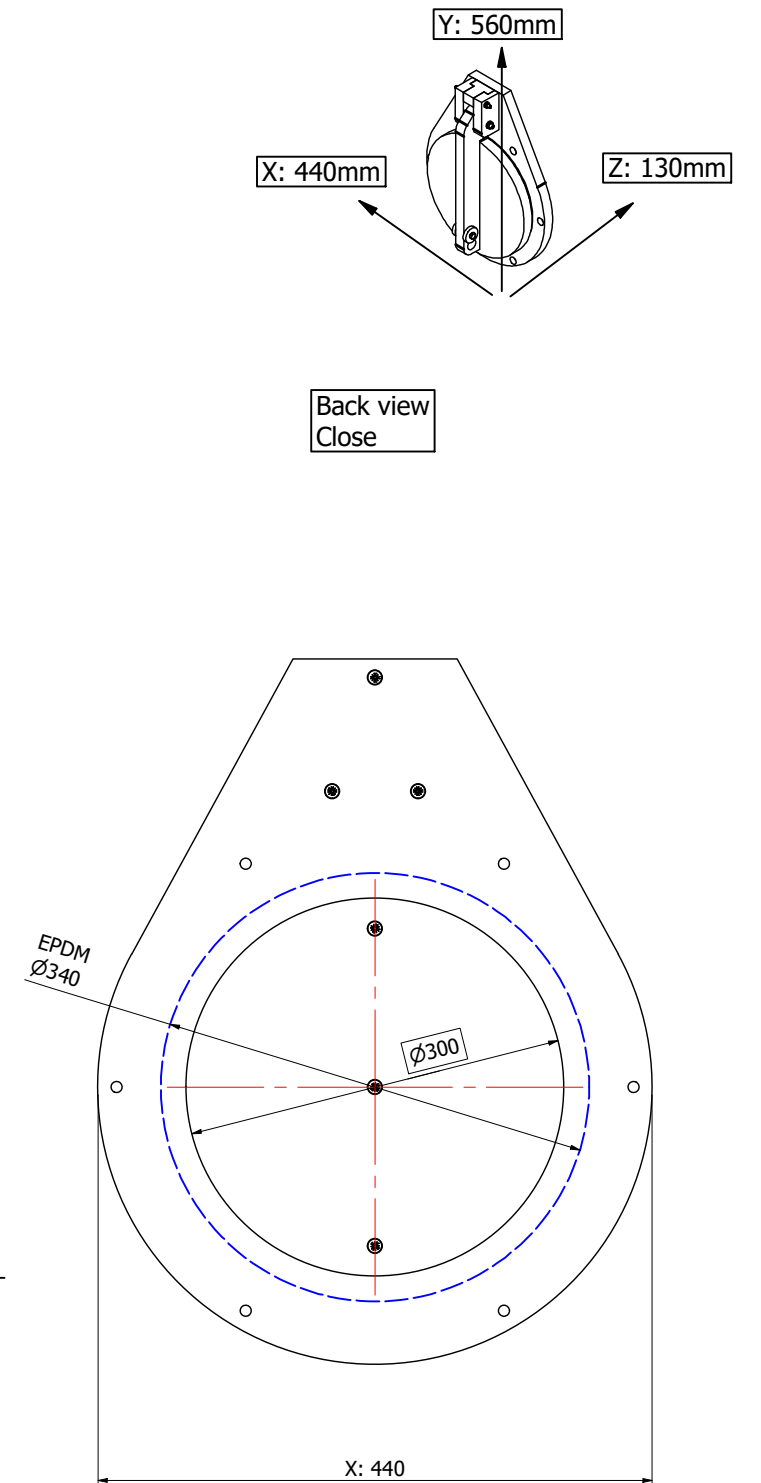
Side view  
Close



Side view  
Open



Back view  
Close

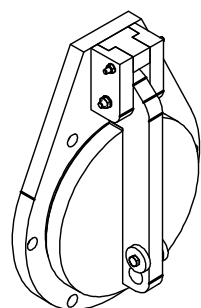


Linear dimensions tolerances acc. to: NEN-ISO 2768-c / Laser cut dimensions tolerances acc. to ISO 9013-1

Please refer to our installation manual for more detailed information regarding wall mounting

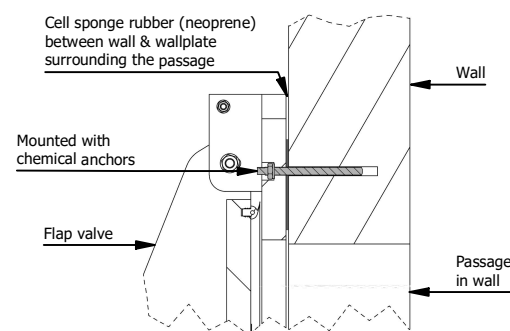
Signed for agreement: ..... Name: ..... Date:.....

The stated sizes are approximate. We advise you to measure the materials immediately after delivery before you proceed to installation!  
Copyright: This drawing remains property of Aquafix Milieu B.V. Nothing of this may be reproduced or multiplied without the permission of Aquafix Milieu B.V.



**Opening: Ø300mm**  
Material: HDPE, SS316L, EPDM  
Max load from bottom invert level (B.I.L.)  
1.3 MWC long period (= 50 years)  
5.0 MWC short period (= 72hours)  
Number of anchors M8x110: 6 pieces  
Pitch diameter anchors (pda)  
Synthetic rubber (EPDM)  
Opening Angle (OA)  
All dimensions in mm.

**Mounting detail**



Postbus 288 3640 AG Mijdrecht  
T: +31 (0)297 - 26 29 29  
F: +31 (0)297 - 26 12 72  
E: info@aquafix.nl  
W: www.aquafix.nl

Flap valve ATKG Ø300		Rev.:-
Model: Wallmount (G) - HDPE/SS316L		
Artikelnr.:670ATK0300G		
		± 8 kg.
Get.: GC	Datum: 28-01-2020	Schaal: 1:6
		Formaat: A3
		Tek. nr.: ATKG1900176
		Blad:6