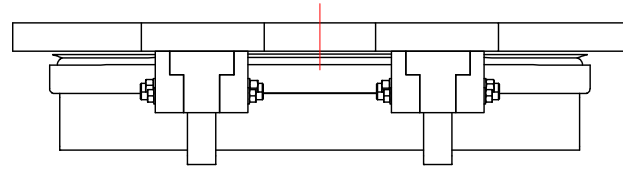
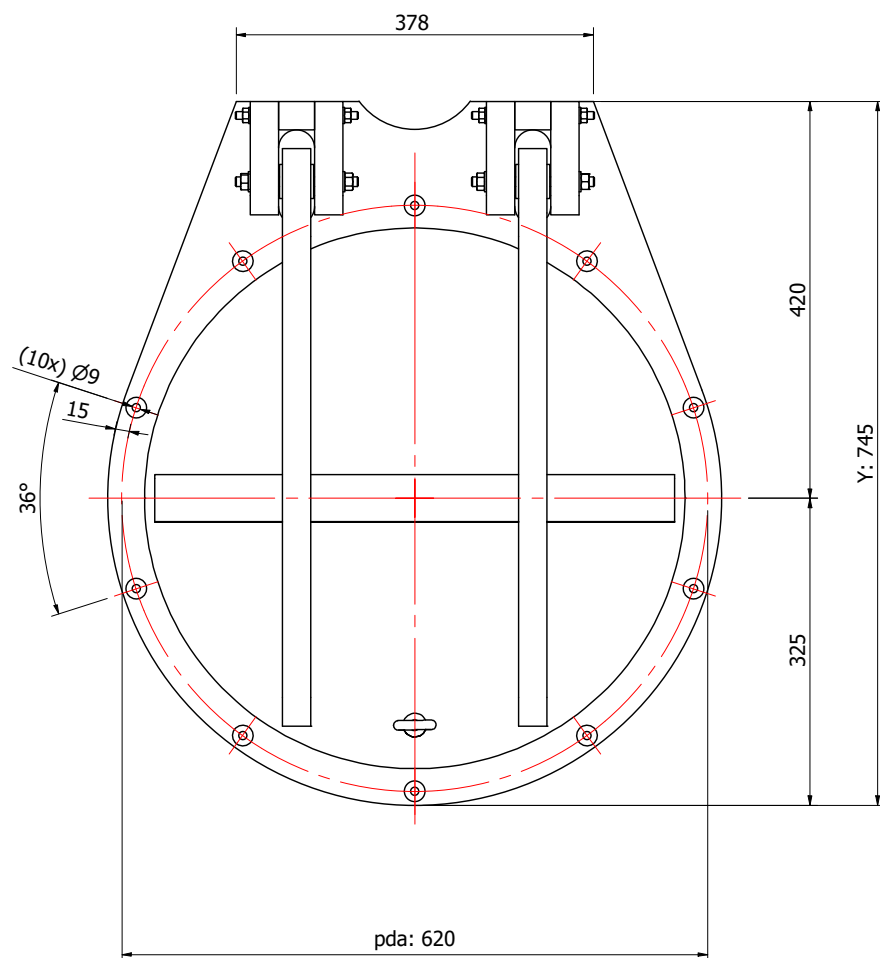


ATK-G Ø500

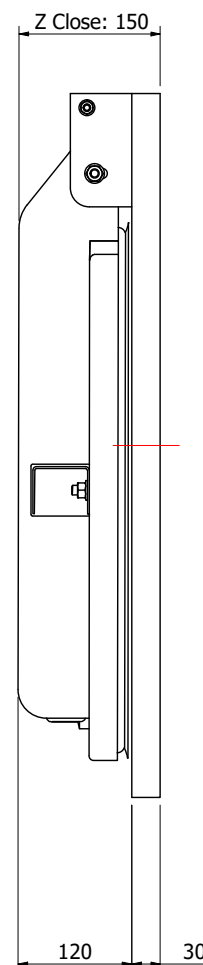
Top view
Close



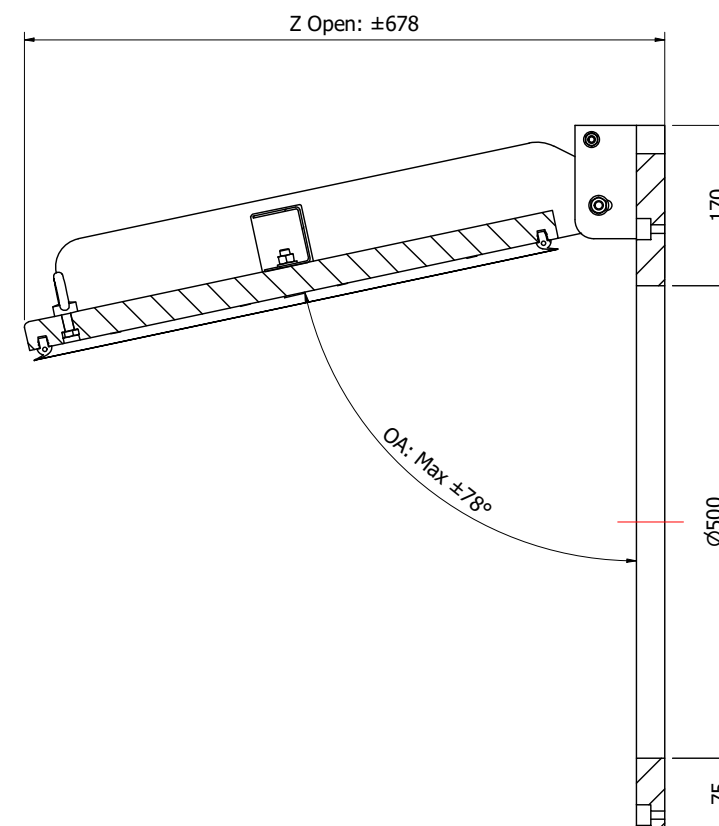
Front view
Close



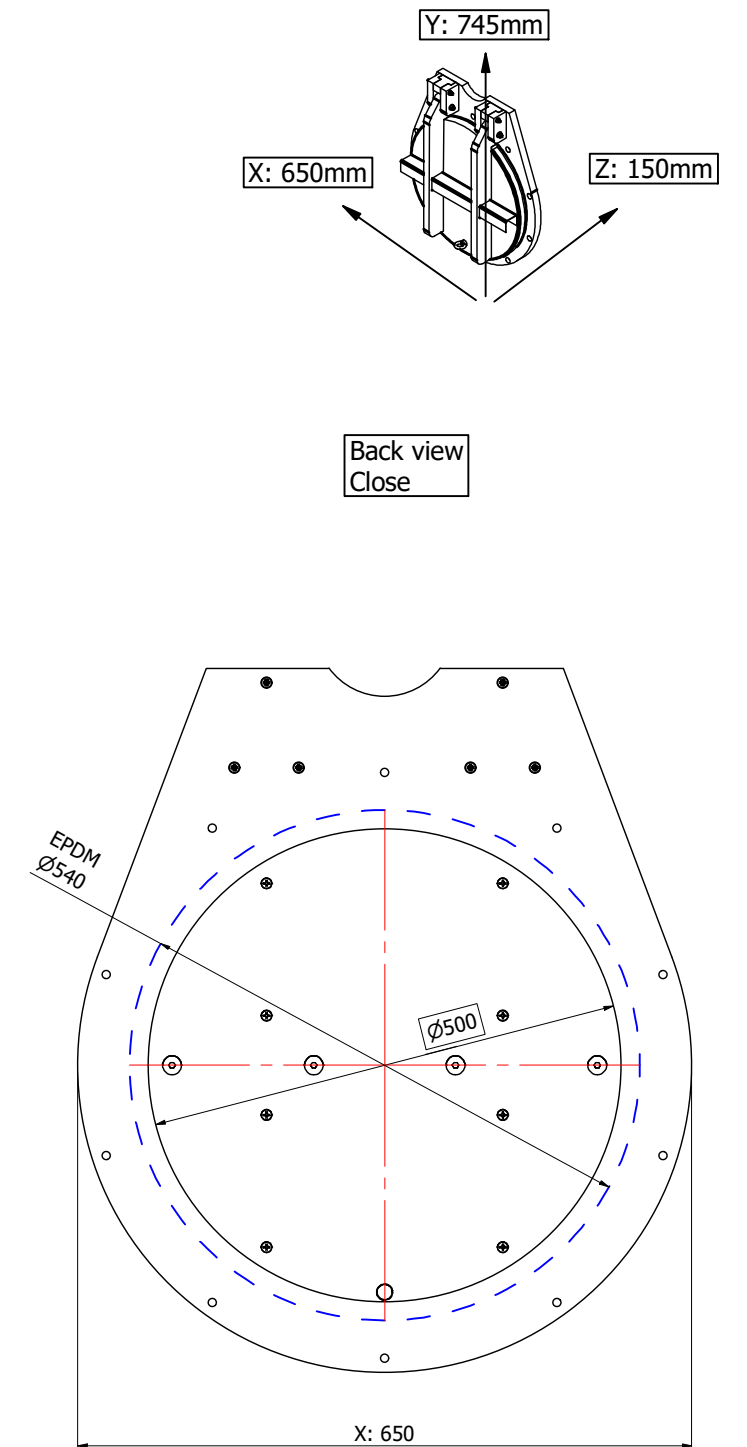
Side view
Close



Side view
Open



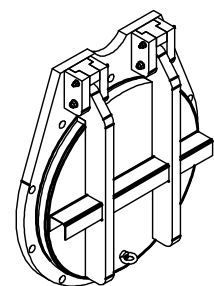
Back view
Close



Linear dimensions tolerances acc. to: NEN-ISO 2768-c / Laser cut dimensions tolerances acc. to ISO 9013-1

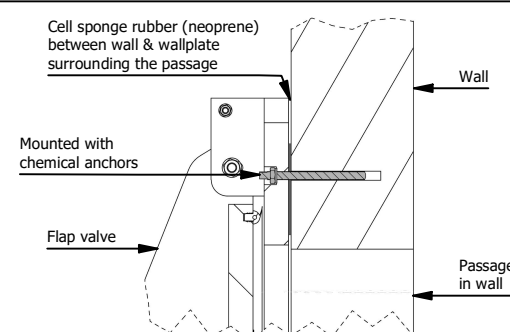
Please refer to our installation manual for more detailed information regarding wall mounting

Signed for agreement: Name: Date:



Opening: Ø500mm
 Material: HDPE, SS316L, EPDM
 Max load from bottom invert level (B.I.L.)
 1.5 MWC long period (= 50 years)
 5.0 MWC short period (= 72hours)
 Number of anchors M8x110: 10 pieces
 Pitch diameter anchors (pda)
 Synthetic rubber (EPDM)
 Opening Angle (OA)
 All dimensions in mm.

Mounting detail



The stated sizes are approximate. We advise you to measure the materials immediately after delivery before you proceed to installation!
 Copyright: This drawing remains property of Aquafix Milieu B.V. Nothing of this may be reproduced or multiplied without the permission of Aquafix Milieu B.V.

		Flap valve ATKG Ø500	Rev.:-
		Model: Wallmount (G) - HDPE/SS316L	
Postbus 288 3640 AG Mijdrecht T: +31 (0)297 - 26 29 29 F: +31 (0)297 - 26 12 72 E: info@aquafix.nl W: www.aquafix.nl		Artikelnr.: 670ATK0500G	
Get.: GC	Datum: 28-01-2020	Schaal: 1:8	± 18 kg.
		Formaat: A3	Tek. nr.: ATKG1900178
			Blad: 8