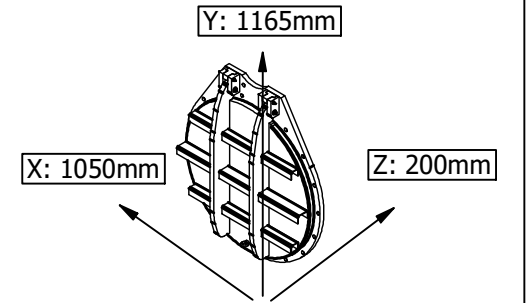
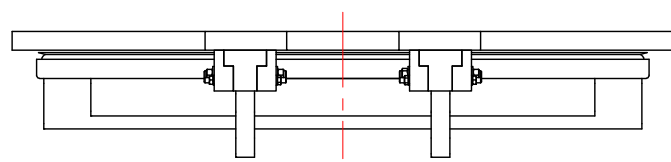
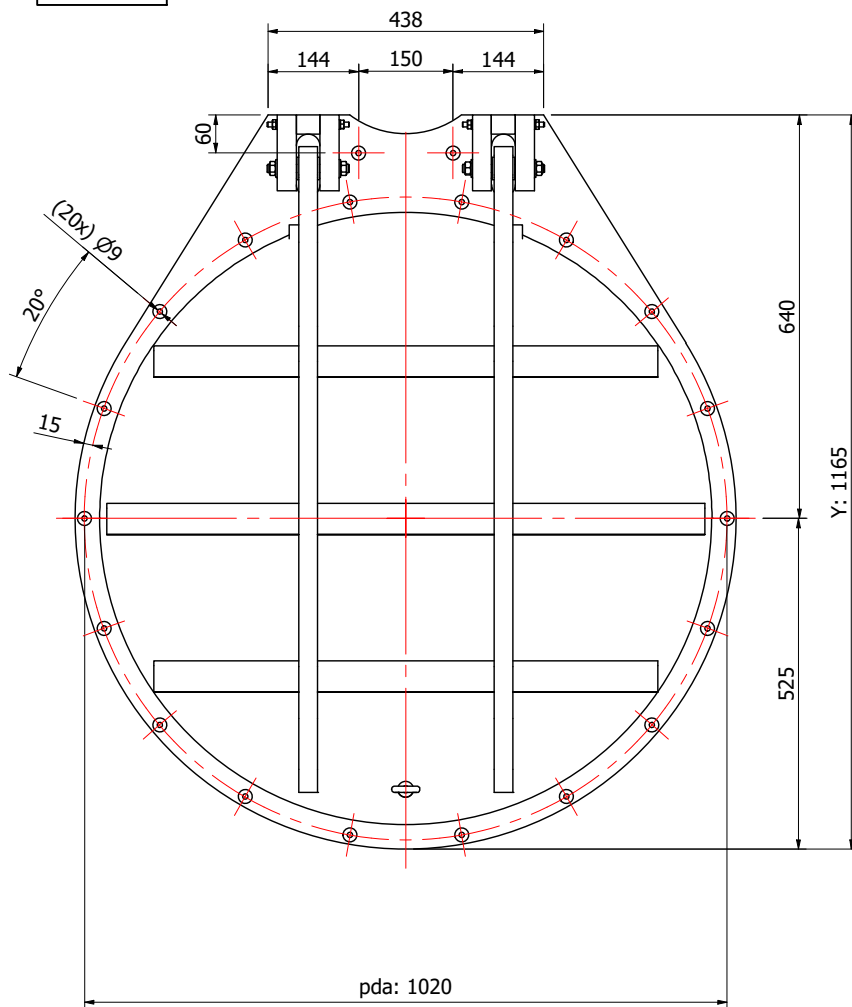


ATK-G Ø900

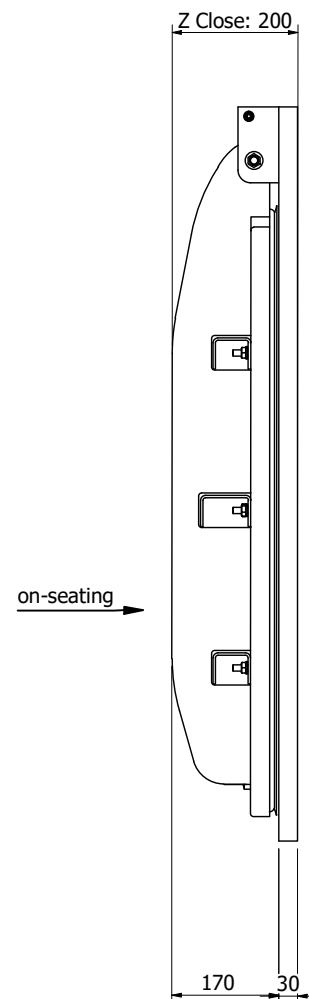
Top view
Close



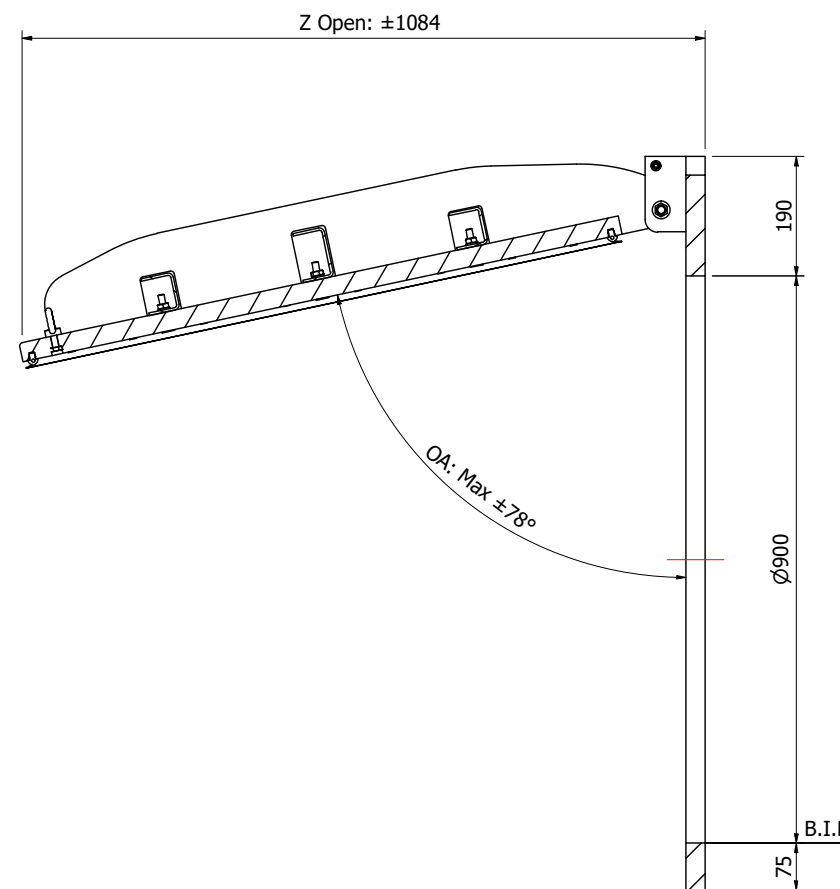
Front view
Close



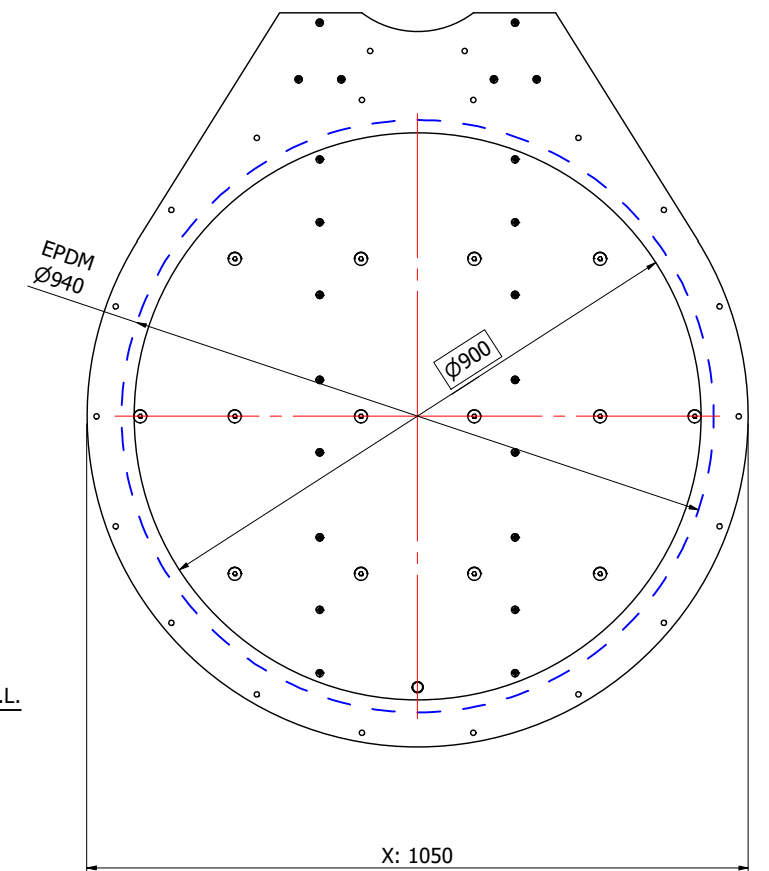
Side view
Close



Side view
Open



Back view
Close

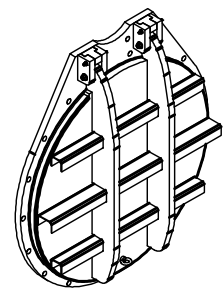


Linear dimensions tolerances acc. to: NEN-ISO 2768-c / Laser cut dimensions tolerances acc. to ISO 9013-1

Please refer to our installation manual for more detailed information regarding wall mounting

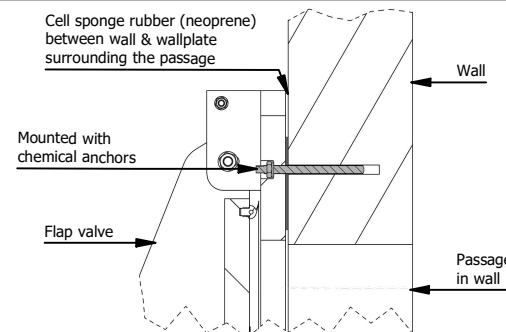
Signed for agreement: Name: Date:

The stated sizes are approximate. We advise you to measure the materials immediately after delivery before you proceed to installation!
Copyright: This drawing remains property of Aquafix Milieu B.V. Nothing of this may be reproduced or multiplied without the permission of Aquafix Milieu B.V.



Opening: Ø900mm
 Material: HDPE, SS316L, EPDM
 Max load from bottom invert level (B.I.L.)
 1.9 MWC long period (= 50 years)
 5.0 MWC short period (= 72hours)
 Number of anchors M8x110: 20 pieces
 Pitch diameter anchors (pda)
 Synthetic rubber (EPDM)
 Opening Angle (OA)
 All dimensions in mm.

Mounting detail



		Flap valve ATKG Ø900	Rev.: -
Postbus 288 3640 AG Mijdrecht T: +31 (0)297 - 26 29 29 F: +31 (0)297 - 26 12 72 E: info@aquafix.nl W: www.aquafix.nl		Model: Wallmount (G) - HDPE/SS316L	
		Artikelnr.: 670ATK0900G	
			± 53 kg.
Get.: GC	Datum: 28-01-2020	Schaal: 1:12	Formaat: A3
		Tek. nr.: ATKG1900182	Blad: 12