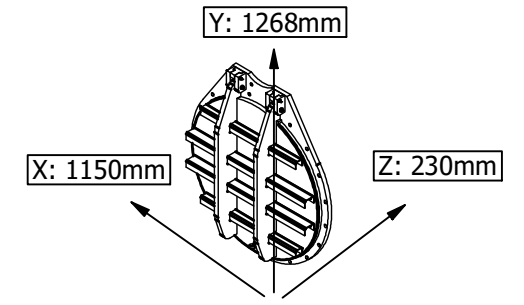
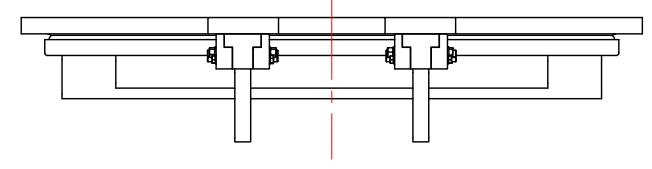
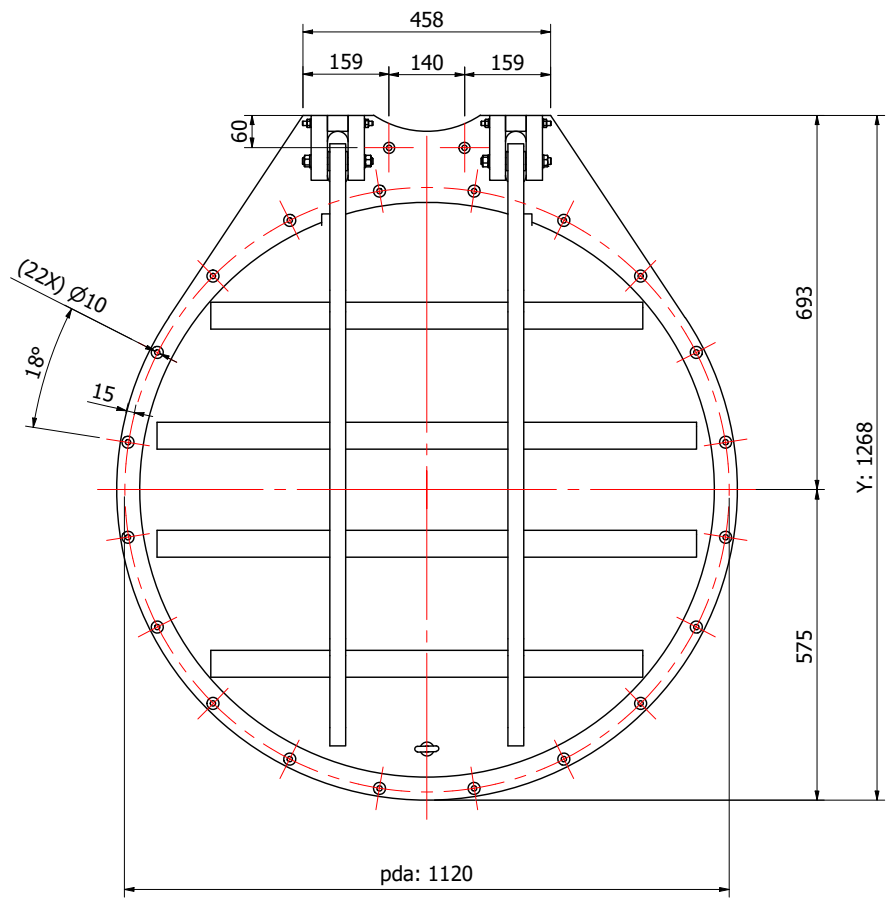


# ATK-G Ø1000

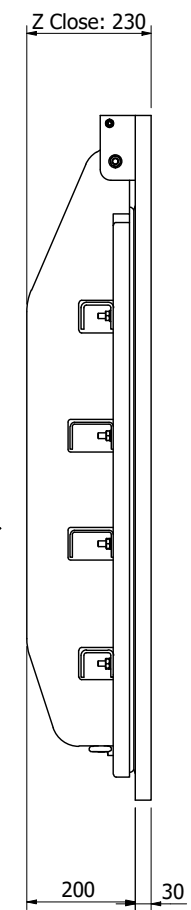
Top view  
Close



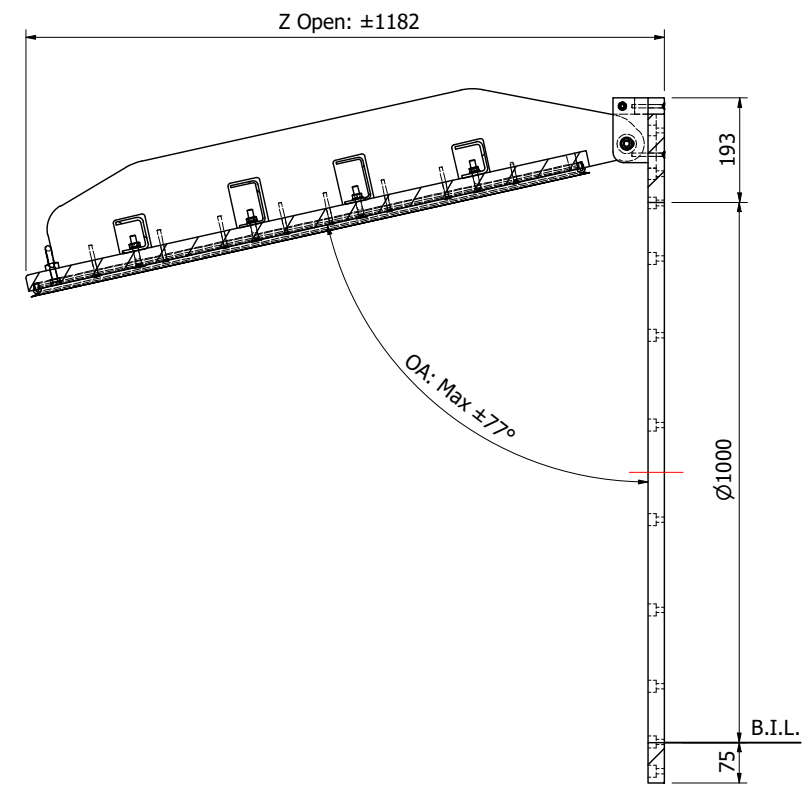
Front view  
Close



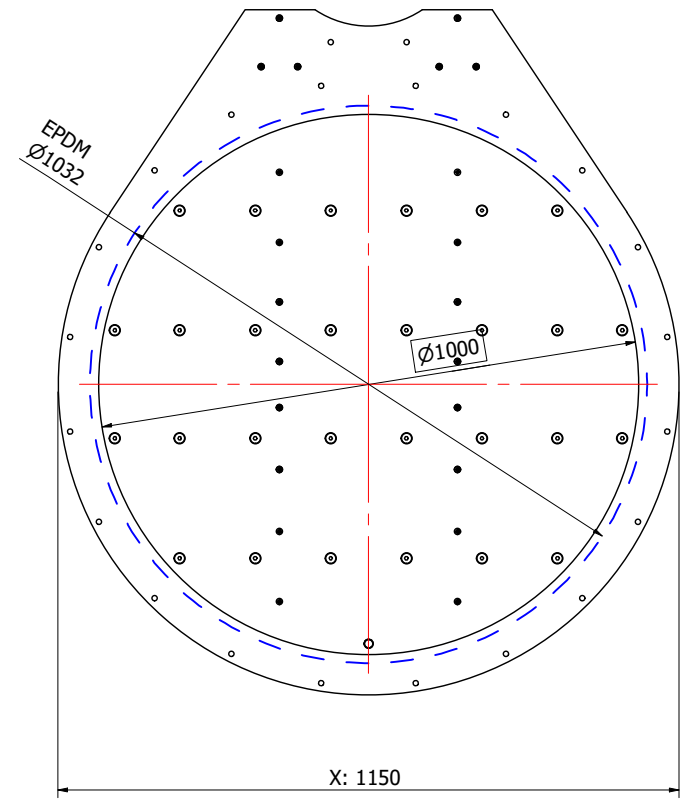
Side view  
Close



Side view  
Open



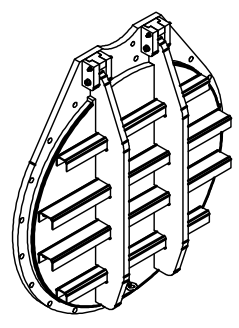
Back view  
Close



Linear dimensions tolerances acc. to: NEN-ISO 2768-c / Laser cut dimensions tolerances acc. to: ISO 9013-1

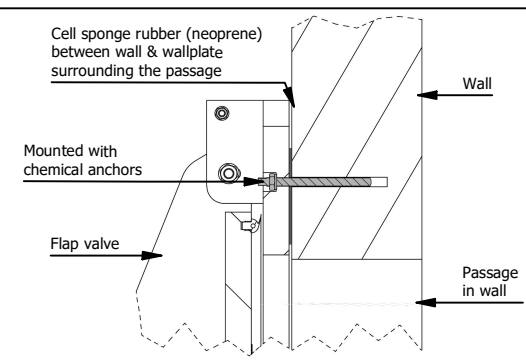
Please refer to our installation manual for more detailed information regarding wall mounting

Signed for agreement: ..... Name: ..... Date:.....



**Opening: Ø1000mm**  
 Material: HDPE, SS316L, EPDM  
 Max load from bottom invert level (B.I.L.)  
 2.0 MWC long period (= 50 years)  
 5.0 MWC short period (= 72hours)  
 Number of anchors M8x110: 22 pieces  
 Pitch diameter anchors (pda)  
 Synthetic rubber (EPDM)  
 Opening Angle (OA)  
 All dimensions in mm.

**Mounting detail**



The stated sizes are approximate. We advise you to measure the materials immediately after delivery before you proceed to installation!  
 Copyright: This drawing remains property of Aquafix Milieu B.V. Nothing of this may be reproduced or multiplied without the permission of Aquafix Milieu B.V.

		Flap valve ATKG Ø1000		Rev.:-
		Model: Wallmount (G) - HDPE/SS316L		
Postbus 288 3640 AG Mijdrecht T: +31 (0)297 - 26 29 29 F: +31 (0)297 - 26 12 72 E: info@aquafix.nl W: www.aquafix.nl		Artikelnr.: 670ATK1000G		
Get.: GC	Datum: 28-01-2020	Schaal: 1:14	Formaat: A3	Tek. nr.: ATKG1900183
				± 68 kg.
				Blad: 13