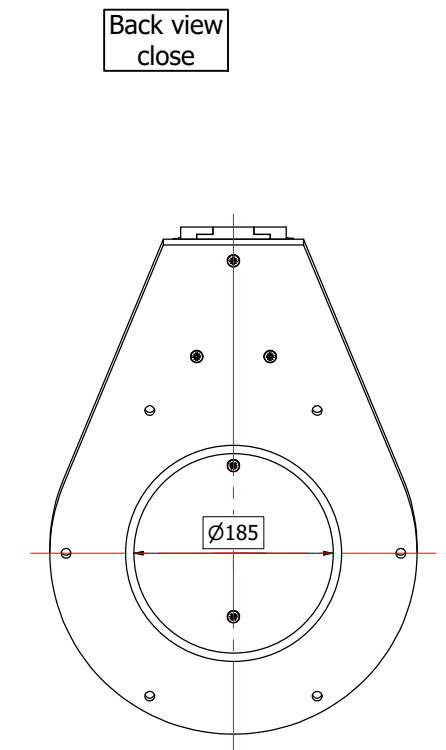
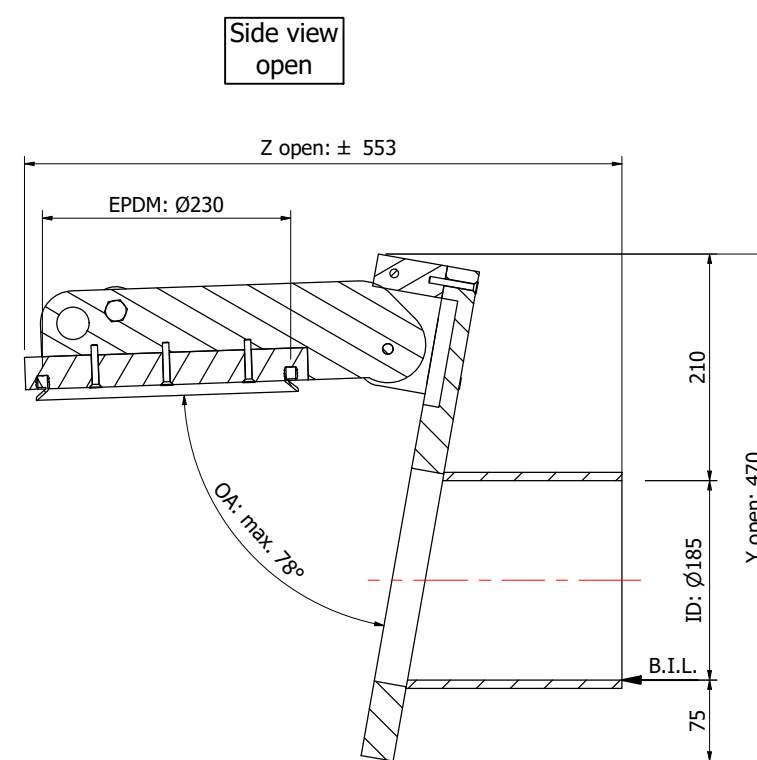
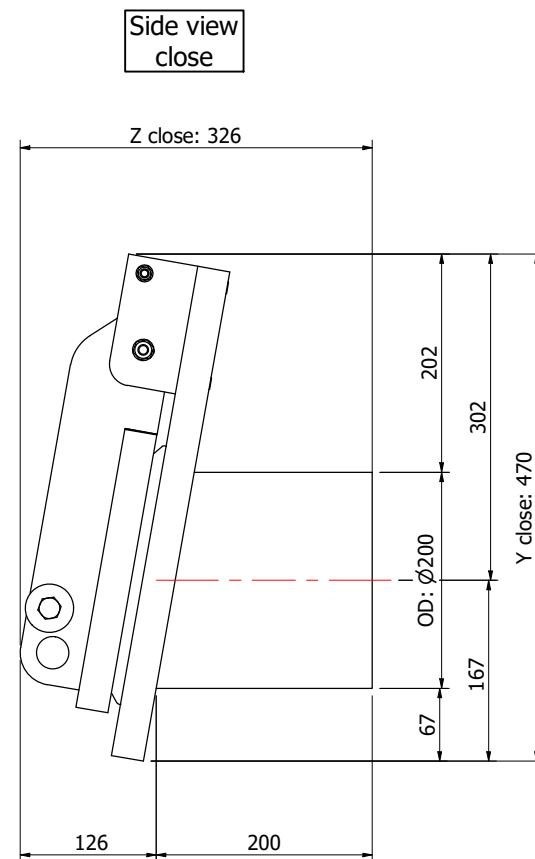
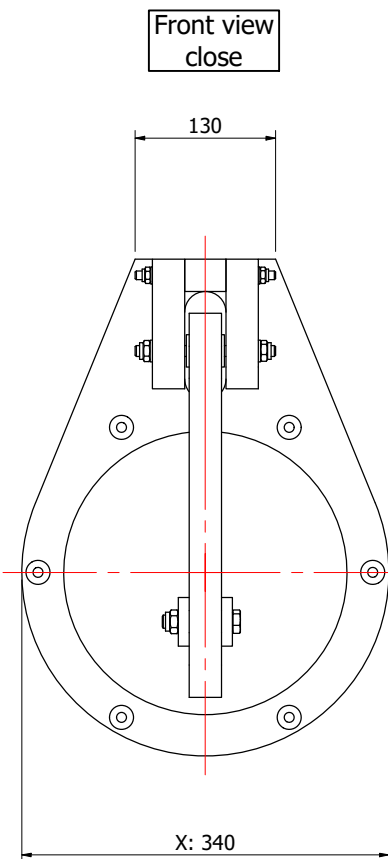
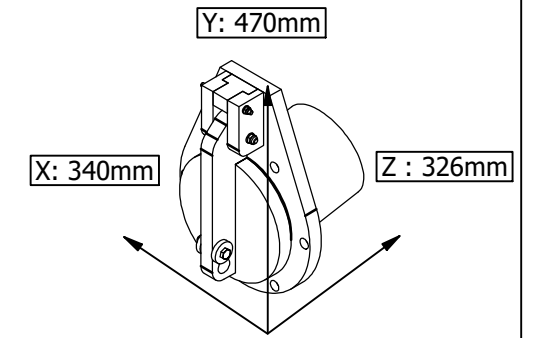
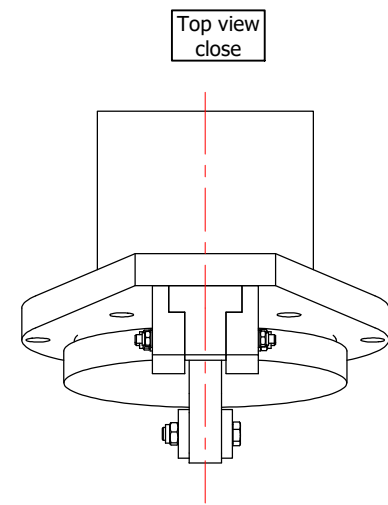


# ATK-S Ø200



on-seating →

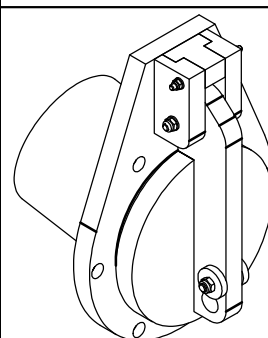
Linear dimensions tolerances acc. to: NEN-ISO 2768-c/ Laser cut dimensions tolerances acc. to ISO 9013-1

Please refer to our installation manual for more detailed information regarding wall mounting

Name: \_\_\_\_\_

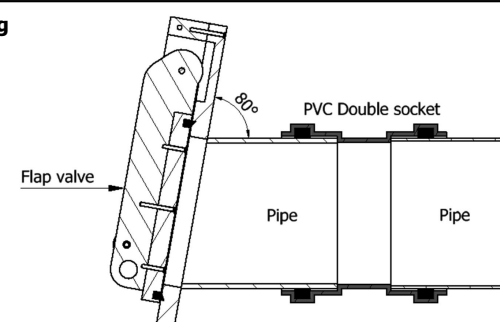
Date: \_\_\_\_\_

Signed for agreement: \_\_\_\_\_



**Opening ID: Ø185 mm**  
 Material: HDPE, SS316, EPDM  
 Max load from bottom invert level (B.I.L.)  
 1.2 MWC long period (= 50 years)  
 5.0 MWC short period (= 72 hours)  
 Synthetic rubber (EPDM)  
 Opening Angle (OA)  
 Inner diameter (ID)  
 Outer diameter (OD)  
 All dimensions in mm

### Mounting detail



Postbus 288 3640 AG Mijdrecht  
 T: +31 (0)297 - 26 29 29  
 F: +31 (0)297 - 26 12 72  
 E: info@aquafix.nl  
 W: www.aquafix.nl

Flap valve ATKS Ø200 - HDPE/SS316L

Rev.: 1

Model: Spigot socket/coupling mount 10° (S)

17/7/2023

Articlenr.: 670ATK0200S

±6,2 kg

Des.: DG

Date: 9/4/2020

Scale: 1:7

Size: A3

Dwg. nr.: ATKS1900174

Sheet: 4

**Dimensions:** The stated dimensions are approximate. Nominal sizes are given in mm. We advise you to measure the materials immediately after delivery before proceeding to installation. No rights may be derived from the measurements in this drawing. **Copyright:** This drawing remains the exclusive property of Aquafix Milieu BV. No part of this drawing may be copied, reproduced or made available without the express consent of Aquafix Milieu BV.

