

# Technical Information

TP70V50/2 HD



AQUAFIX BELGIUM BVBA  
Tel. 013 66 83 03, WWW.AQUAFIX.BE



AQUAFIX MILIEU B.V.  
Tel. 0297 26 29 29, WWW.AQUAFIX.NL

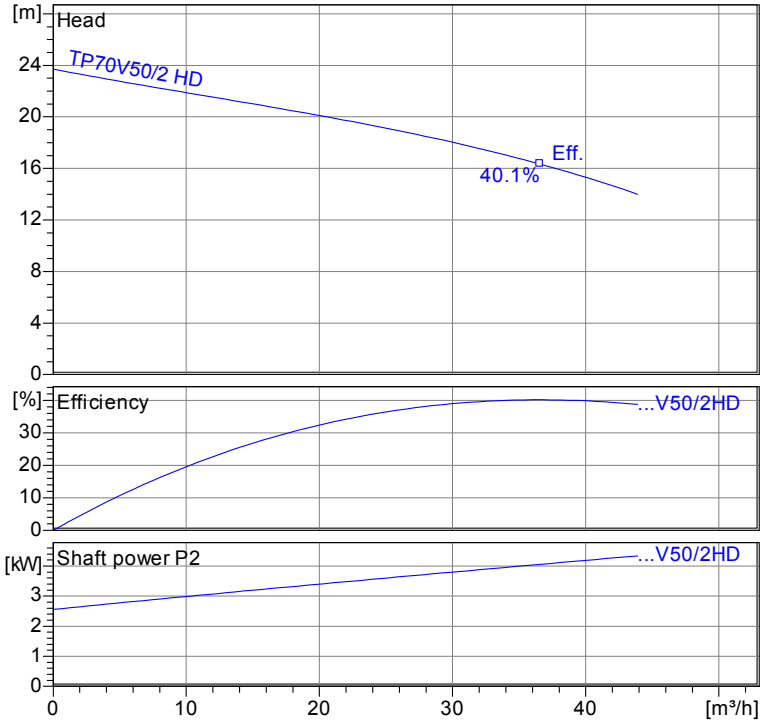
<b>Operating data</b>	
Flow	0 m <sup>3</sup> /h
Head	0 m
Shaft power P2	
Pump efficiency	s %
Required pump NPSH	
Pumpe type	Single head pump
No. of pumps	1
Fluid	Water, clean

<b>Pump</b>	
Pump Code	TP70V50/2 HD
Impeller	Vortex impeller
Impeller size	140 mm
Solid size	70 mm
Discharge port	R 3" AG
Suction port	s

<b>Motor</b>	
Rated voltage	400 V
Frequency	50 Hz Hz
Rated power P2	4.4 kW
Rated speed	2840 rpm
Number of poles	2
Efficiency	85 % %
Rated current	8.7 A
Degree of protection	IP 68

<b>Materials</b>	
Motor housing	Grey cast iron EN-GJL-250
Impeller	Grey cast iron EN-GJL-250
Pump housing	Grey cast iron EN-GJL-250
Motor shaft	Stainless steel 1.4104
Bolts	Stainless steel
O-Rings	Nitrile Rubber
Mechanical seal on medium side	SiC / SiC
Mechanical seal on motor side	SiC / SiC
Lower Bearing	Two angular ball bearings
Upper Bearing	Deep Groove Ball Bearing

Testnorm: ISO9906 Sect. 4.4.2



Wet well installation with coupling kit (V50)  
Dimensions in mm,

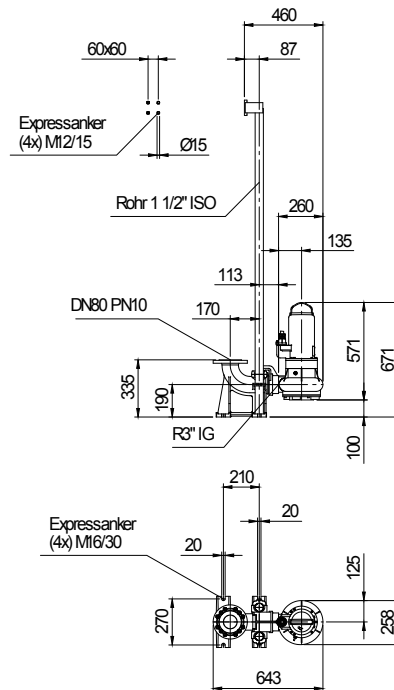


Table Dimensions ( mm )

2.3.7 - 14/03/2012 (Build 345)

Project	Project no.:	Created by:	Page: 1
---------	--------------	-------------	------------

# Performance Curve

TP70V50/2 HD



AQUAFIX BELGIUM BVBA  
Tel. 013 66 83 03, WWW.AQUAFIX.BE



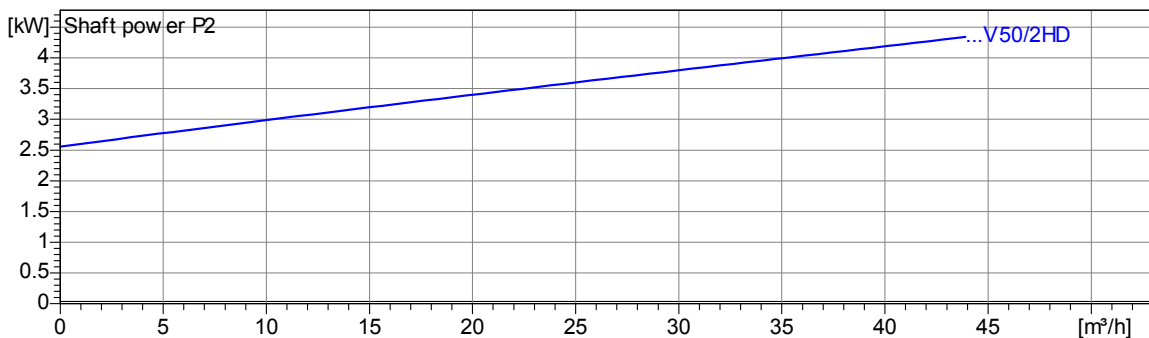
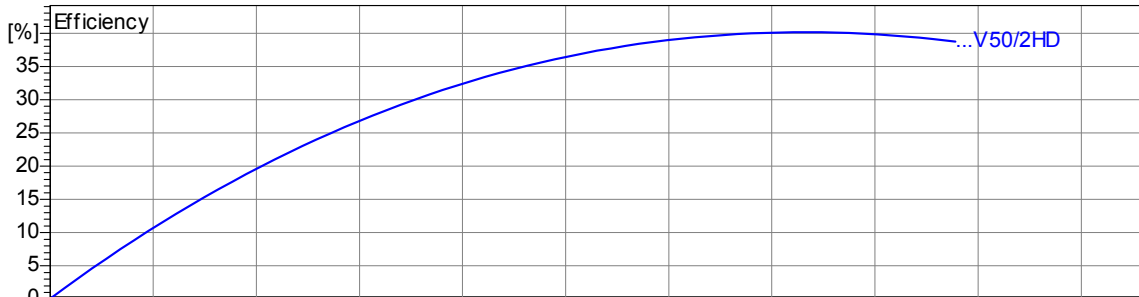
AQUAFIX MILIEU B.V.  
Tel. 0297 26 29 29, WWW.AQUAFIX.NL

Impeller						
Impeller type: Vortex impeller	Solid size 70 mm	Ø:	Max. Ø: 140 mm	Min. Ø: 115 mm	Sel. Ø: 140 mm	

Operating data					
Speed: <b>2840 rpm</b>	Frequency: <b>50 Hz</b>	Duty point: <b>Q = 0 m³/h</b>	<b>H = 0 m</b>	Shaft power P2:	Discharge port: <b>R 3" AG</b>

Power data referred to:  
Water, clean [100%] ; 20°C; 998.3kg/m³; 1.005mm²/s

Testnorm: ISO9906 Sect. 4.4.2



2.3.7 - 14/03/2012 (Build 345)

Project	Project no.:	Created by:	Page: 2
---------	--------------	-------------	------------

# Dimensions

TP70V50/2 HD



AQUAFIX BELGIUM BVBA  
Tel. 013 66 83 03, WWW.AQUAFIX.BE



AQUAFIX MILIEU B.V.  
Tel. 0297 26 29 29, WWW.AQUAFIX.NL

Wet well installation with coupling kit (V50)  
Dimensions in mm, le

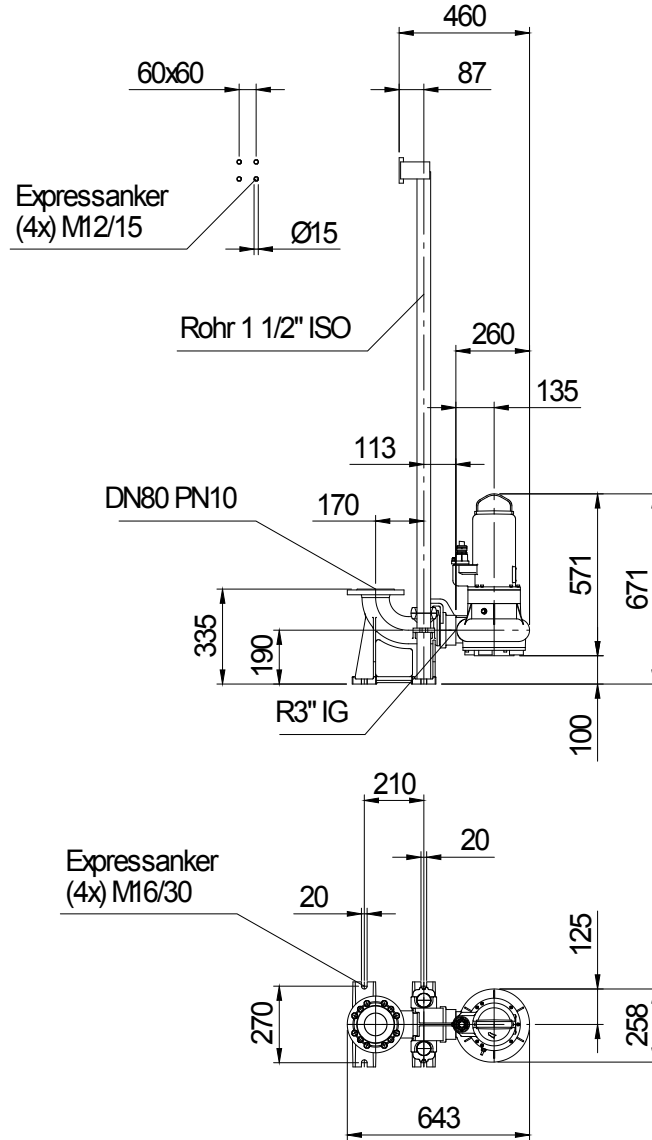


Table Dimensions ( mm )

--	--	--

2.3.7 - 14/03/2012 (Build 345)

Project	Project no.:	Created by:	Page: 3
---------	--------------	-------------	------------

# Technical Data

TP70V50/2 HD



AQUAFIX BELGIUM BVBA  
Tel. 013 66 83 03, WWW.AQUAFIX.BE



AQUAFIX MILIEU B.V.  
Tel. 0297 26 29 29, WWW.AQUAFIX.NL

Operating data					
Flow	0 m <sup>3</sup> /h	m <sup>3</sup> /h	Head	0	m
Shaft power P2		kW	Geodetic head	0	m
Pump efficiency	s	%	Required pump NPSH		m
Pumpe type	Single head pump		No. of pumps	1	
Fluid	Water, clean		Temperature	20 °C	
Density	998.3	kg/m <sup>3</sup>	Kin. viscosity	1.005	mm <sup>2</sup> /s

Pump					
Pump Code	TP70V50/2 HD		Speed	2840	rpm
Suction port			Head	Max.	23.7 m
Discharge port	R 3" AG			Min.	14.0 m
Impeller type	Vortex impeller		Flow	Max.	43.9 m <sup>3</sup> /h
Solid size	70	mm	Pump efficiency max.	40.1 %	
Impeller Ø	140	mm	Required rated power max. P2	4.3	kW

Motor					
Motor version	Submersible motor		Insulation class	H	
Motor name	AM 136.5,2/2D		Degree of protection	IP 68	
Frequency	50	Hz	Temperature class		
Rated power P1	5.2	kW			
Rated power P2	4.4	kW	Explosion protection		
Rated speed	2840	rpm	Efficiency at % rated power	100%	85 %
Rated voltage	400	V 3~		75%	84 %
Rated current	8.7	A		50%	83 %
Starting current, direct starting	52.2	A	cos phi at % rated power	100%	0.89
Starting current, star-delta	17.4	A		75%	0.87
Starting mode	Star-delta			50%	0.86
Power cable	10G1,5		Control cable		
Type of power cable	H07RN-F		Type of control cable		
Cable length	10 m		Service factor	1.15	
Shaft seal	Mechanical seal on medium side		SiC / SiC		
	Mechanical seal on motor side		SiC / SiC		
Bearing	Lower Bearing		Two angular ball bearings		
	Upper Bearing		Deep Groove Ball Bearing		
Remarks	s				

Materials / Weight			
Motor housing	Grey cast iron EN-GJL-250	O-Rings	Nitrile Rubber
Pump housing	Grey cast iron EN-GJL-250		
Impeller	Grey cast iron EN-GJL-250		
Motor shaft	Stainless steel 1.4104		
Bolts	Stainless steel		
Weight aggregat	56 kg		

Project	Project no.:	Created by:	Page: 4
---------	--------------	-------------	------------

2.3.7 - 14/03/2012 (Build 345)